

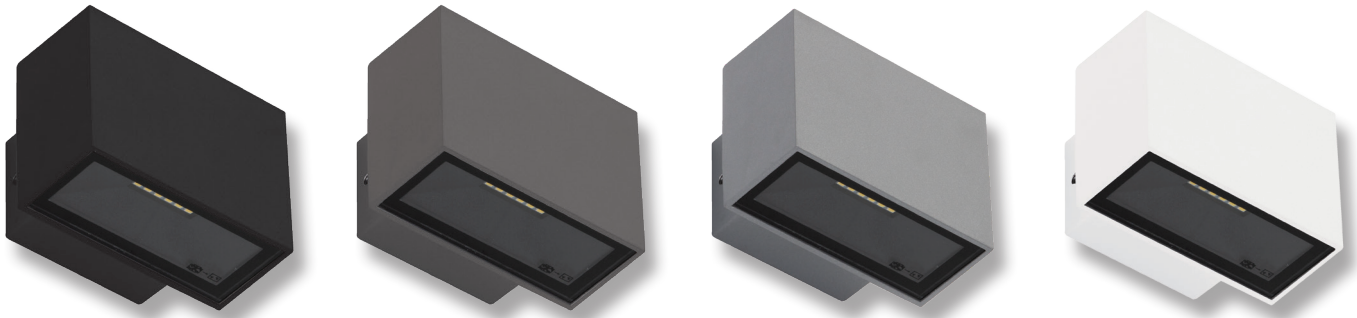
BLOCK-6 LED Wall Light



Description

The BLOCK-6, a surface mounted LED wall light that illuminates both upward and downward to create that subtle welcoming effect. The BLOCK is also rated at IP65, giving you flexibility in indoor and covered outdoor applications.

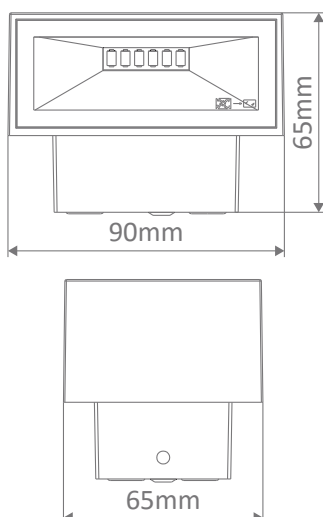
BLOCK-6 is constructed from die-cast aluminium and includes a tempered glass lens. Behind this lens sits energy saving (2x) 3W SMD LED chips, that will provide you with a total of 550 lumens of (upward/downward) light output. The BLOCK-6 also comes complete with our Three Year Replacement Warranty for peace of mind.



Specification Features

Input Voltage: 220V-265V
 Power (W): 2 x 3W (6W Total)
 IP rating (IP): IP65
 Lumens (lm): Warm White 3000K - 500lm
 White 5000K - 550lm
 LED type: SMD
 CCT: 3000K - 5000K
 CRI: ≥80
 Beam angle (°): 45°
 Dimmable: No
 Lifespan (hrs): 50,000hrs

Diagrams / Additional



Item No.	Variant	Colour
BLOCK-6-BLK	19544	3000K
	19545	5000K
BLOCK-6-DGR	19546	3000K
	19547	5000K
BLOCK-6-SLR	19570	3000K
	19571	5000K
BLOCK-6-WHT	19572	3000K
	19573	5000K