

Last modification

2021-08-26

AKRON TLL-WHAG

9329501058640



A sophisticated addition to a transitional space, the Akron table lamp is perfect for everyday living. A rectangular shade with gold lining sits atop a laser-cut deco base. The marble base is a luxurious touch that brings added beauty. Offered in antique gold contrasted in black or white and available in 2 sizes.

Overview

Family name	Akron
Item Type	Table Lamps (TL)
This item includes	Shade
Lamp Design	Bedside Lamps
Shade Shape	Rectangle
Switch	Inline Switch
Usage	Commercial,Interior,Residential
By Room	Bedroom,Living Room,Office

Color / Material

Fixture Color 1	Antique Gold,White
Fixture Material	Marble,Metal
Shade Colour	White
Shade Material	Cotton TC
Cable Colour	Black
Cable Material	PVC

Size

Fixture Height (cm)	66.0
Base Diameter (cm)	22.0
Base Width (cm)	11.0
Base Height (cm)	25.0
Shade Height (cm)	23.0
Cable Length (cm)	180 (30+Inline Switch+150)

Specification

Voltage Input	240V
----------------------	------

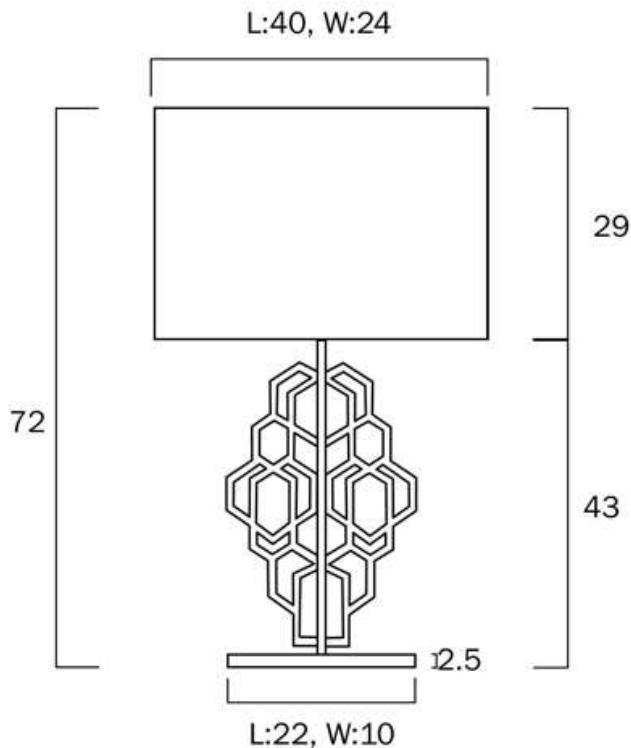
All representations within this document are subject to copyright.ELECTRICAL INSTALLATIONS MUST BE PERFORMED BY A QUALIFIED ELECTRICAL CONTRACTOR AND INSTALLED IN ACCORDANCE WITH AS/NZS 3000.
NOTE : All images , descriptions and dimensions are indicative. Please check latest version of item detail on Telbix website prior to ordering or installation.

Wattage (max)	25
Globe Type	E27
Globe / Light Source qty	1
Globe / Light Source included	No
IP rating	IP20
Lead and Plug	Yes
Assembly Required	Yes
Box Contents	Instruction
Installation Required	Yes (DIY)
Care Instructions	Do not use strong liquid cleaners,Wipe clean with a dry cloth
Warranty	3 Years
Globe type recommended	E27 - G A605E27OP830,E27 - G A605E27OP840,E27 - G A605E27OP860,E27 - G A609E27OP830D,E27 - G A609E27OP840D,E27 - G A609E27OP860D,E27 - G T305E27OP830,E27 - G T305E27OP840,E27 - G T305E27OP860,E27 - G T305E27TUS824D,E27 - G T305E27TUS840D,E27 - G T308E27TUL824D,E27 - G T308E27TUL840D,E27 - G T379E27OP830D,E27 - G T379E27OP840D,E27 - G T379E27OP860D,E27 - GL F.G095.4-AM83,E27 - GL F.G095.4-FR85,E27 - GL F.G095.8-CL83,E27 - GL F.G095.8-CL85,E27 - GL F.G125.6-AM83,E27 - GL F.G125.6-FR85,E27 - GL F.G125.8-CL83,E27 - GL F.G125.8-CL85,E27 - GL F.PILT.4-AM83,E27 - GL F.PILT.8-CL83,E27 - GL F.PILT.8-CL85

Barcode

GTIN 9329501058640

Image -dimensions



All representations within this document are subject to copyright.ELECTRICAL INSTALLATIONS MUST BE PERFORMED BY A QUALIFIED ELECTRICAL CONTRACTOR AND INSTALLED IN ACCORDANCE WITH AS/NZS 3000. NOTE : All images , descriptions and dimensions are indicative. Please check latest version of item detail on Telbix website prior to ordering or installation.



