

Last modification

2021-08-26

## BOBO TL2-AGOM

9329501057766



### Overview

<b>Family name</b>	Bobo
<b>Item Type</b>	Table Lamps (TL)
<b>Suspension Type</b>	Cable
<b>Switch</b>	Inline Switch
<b>Usage</b>	Commercial,Interior,Residential
<b>By Room</b>	Bedroom,Living Room,Office

### Color / Material

<b>Fixture Color 1</b>	Antique Gold,Opal Matt
<b>Fixture Material</b>	Metal
<b>Shade Material</b>	Glass
<b>Glass Colour</b>	Opal Matt
<b>Diffuser Colour</b>	Opal Matt
<b>Diffuser Material</b>	Glass

### Size

<b>Fixture Diameter (cm)</b>	15.0
<b>Fixture Height (cm)</b>	50.0
<b>Glass Width (cm)</b>	10.5
<b>Glass Height (cm)</b>	10.0
<b>Cable Length (cm)</b>	180 (30+Inline Switch+150)

### Specification

<b>Wattage (max)</b>	6
<b>Wattage</b>	3
<b>Globe Type</b>	G9
<b>Globe / Light Source qty</b>	2
<b>Globe / Light Source included</b>	Yes
<b>Color Kelvin</b>	3000k
<b>Color Rendering</b>	>80
<b>Dimmable</b>	No
<b>IP rating</b>	IP20

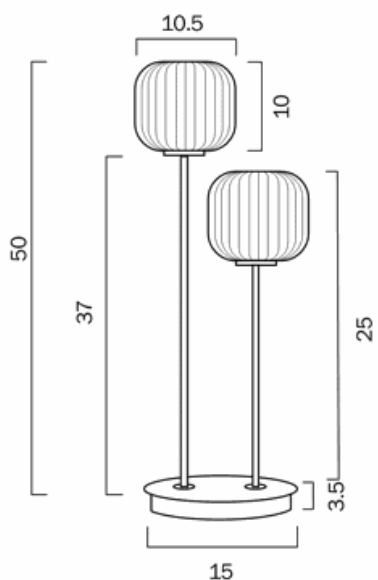
All representations within this document are subject to copyright.ELECTRICAL INSTALLATIONS MUST BE PERFORMED BY A QUALIFIED ELECTRICAL CONTRACTOR AND INSTALLED IN ACCORDANCE WITH AS/NZS 3000.  
NOTE : All images , descriptions and dimensions are indicative. Please check latest version of item detail on Telbix website prior to ordering or installation.

<b>Lead and Plug</b>	Yes
<b>Approvals</b>	RCM (C TICK)
<b>Assembly Required</b>	Yes
<b>Installation Required</b>	Yes (DIY)
<b>Care Instructions</b>	Do not use strong liquid cleaners,Wipe clean with a dry cloth
<b>Warranty</b>	3 Years
<b>Globe type recommended</b>	G9 - GL G9.100W-CLEAR,G9 - GL G9.28W-CL,G9 - GL G9LED2.0W-830,G9 - GL G9LED2.0W-840,G9 - GL G9LED3.0W-830,G9 - GL G9LED3W CAP-830,G9 - GL GU10LEDFW6-83,G9 - GL GU10LEDFW6-84,G9 - GL GU10LEDFW6-86

Barcode

**GTIN** 9329501057766

Image -dimensions



Color variation

Label	Thumbnail	GTIN
BOBO TL2-BKSM		9329501057773

All representations within this document are subject to copyright.ELECTRICAL INSTALLATIONS MUST BE PERFORMED BY A QUALIFIED ELECTRICAL CONTRACTOR AND INSTALLED IN ACCORDANCE WITH AS/NZS 3000.  
NOTE : All images , descriptions and dimensions are indicative. Please check latest version of item detail on Telbix website prior to ordering or installation.



