

Last modification

2021-08-26

BOBO TL2-BKSM

9329501057773



Overview

Family name	Bobo
Item Type	Table Lamps (TL)
Lamp Design	Bedside Lamps,Table Lanterns
Suspension Type	Cable
Switch	Inline Switch
Usage	Commercial,Interior,Residential
By Room	Bedroom,Living Room,Office

Color / Material

Fixture Color 1	Black,Smoke
Fixture Material	Metal
Shade Material	Glass
Glass Colour	Smoke
Diffuser Colour	Opal Matt
Diffuser Material	Glass

Size

Fixture Diameter (cm)	15.0
Fixture Height (cm)	50.0
Glass Width (cm)	10.5
Glass Height (cm)	10.0
Cable Length (cm)	180 (30+Inline Switch+150)

Specification

Wattage (max)	6
Wattage	3
Globe Type	G9
Globe / Light Source qty	2
Globe / Light Source included	Yes
Color Kelvin	3000k
Color Rendering	>80
Dimmable	No

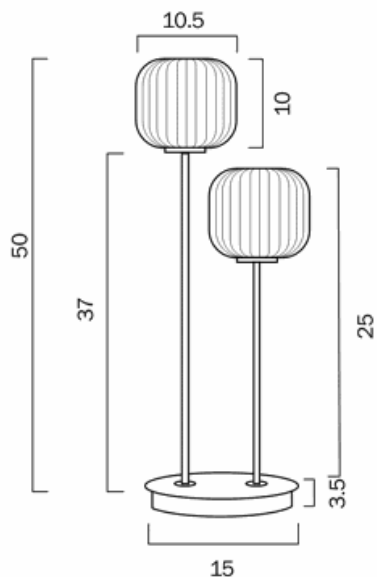
All representations within this document are subject to copyright.ELECTRICAL INSTALLATIONS MUST BE PERFORMED BY A QUALIFIED ELECTRICAL CONTRACTOR AND INSTALLED IN ACCORDANCE WITH AS/NZS 3000.
NOTE : All images , descriptions and dimensions are indicative. Please check latest version of item detail on Telbix website prior to ordering or installation.

IP rating	IP20
Lead and Plug	Yes
Approvals	RCM (C TICK)
Assembly Required	Yes
Installation Required	Yes (DIY)
Care Instructions	Do not use strong liquid cleaners,Wipe clean with a dry cloth
Warranty	3 Years
Globe type recommended	G9 - GL G9.100W-CLEAR,G9 - GL G9.28W-CL,G9 - GL G9LED2.0W-830,G9 - GL G9LED2.0W-840,G9 - GL G9LED3.0W-830,G9 - GL G9LED3W CAP-830,G9 - GL GU10LEDFW6-83,G9 - GL GU10LEDFW6-84,G9 - GL GU10LEDFW6-86

Barcode

GTIN 9329501057773

Image -dimensions



Color variation

Label	Thumbnail	GTIN
BOBO TL2-AGOM		9329501057766

All representations within this document are subject to copyright.ELECTRICAL INSTALLATIONS MUST BE PERFORMED BY A QUALIFIED ELECTRICAL CONTRACTOR AND INSTALLED IN ACCORDANCE WITH AS/NZS 3000.
NOTE : All images , descriptions and dimensions are indicative. Please check latest version of item detail on Telbix website prior to ordering or installation.



