

Last modification 2023-11-13

## BRIANA TL-GN 9329501066393



The Briana table lamp is a versatile lighting solution suitable for indoor and outdoor settings. It's perfect for personal use at home, offering portability and touch-based controls for adjusting brightness. In commercial applications, such as restaurants and cafes, it provides intimate table lighting with dimming options. The lamp's IP54 waterproof rating makes it resilient against dust and light water exposure. Additionally, a 10-bank charging station option ensures readiness for establishments requiring multiple lamps, making it an ideal choice for various settings.

### Overview

<b>Family name</b>	Briana
<b>Categories</b>	Table Lamps
<b>Switch</b>	Yes - 3 way Touch Switch
<b>Usage</b>	Indoor Lighting, Outdoor Lighting

### Color / Material

<b>Fixture Color</b>	Green
<b>Fixture Finish</b>	Sand
<b>Fixture Material</b>	Iron
<b>Diffuser Color</b>	Frost
<b>Cable Color</b>	White
<b>Cable Material</b>	PVC

### Size

<b>Fixture Diameter (cm)</b>	12.0
<b>Fixture Height (cm)</b>	30.0
<b>Cable Length (cm)</b>	100

### Specification

<b>Voltage Input</b>	240V
<b>Total Wattage (max)</b>	3
<b>Globe Type</b>	LED integrated SMD
<b>Globe / Light Source qty</b>	1
<b>Globe / Light Source included</b>	Yes
<b>Lumens</b>	300

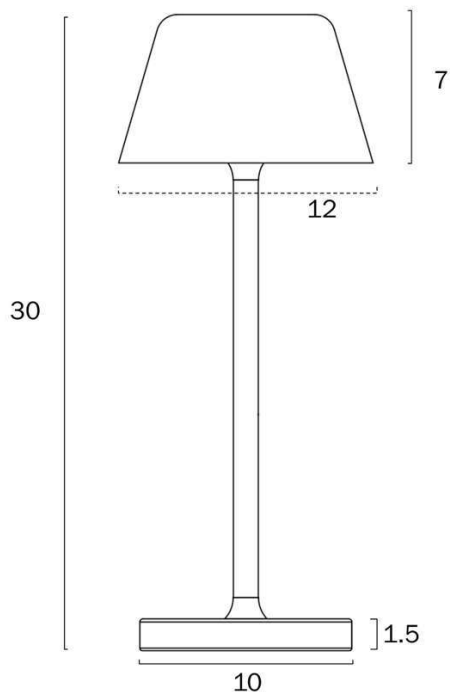
All representations within this document are subject to copyright. ELECTRICAL INSTALLATIONS MUST BE PERFORMED BY A QUALIFIED ELECTRICAL CONTRACTOR AND INSTALLED IN ACCORDANCE WITH AS/NZS 3000.  
NOTE : All images , descriptions and dimensions are indicative. Please check latest version of item detail on Telbix website prior to ordering or installation.

<b>Color Temperature</b>	Warm White; Natural White; Cool White
<b>Color Kelvin</b>	3 CCT (3000k - 4000k - 5000k)
<b>Battery Capacity (mA)</b>	2x2000 (6-24 hour capacity)
<b>Dimmable</b>	Touch
<b>Electrical Protection</b>	CLASS III
<b>IP rating</b>	IP54
<b>USB Port</b>	Yes
<b>Approvals</b>	RCM
<b>Assembly Required</b>	No
<b>Box Contents</b>	Instruction
<b>Care Instructions</b>	Do not use strong liquid cleaners, Wipe clean with a dry cloth
<b>Replacement Warranty</b>	*2 Years

## Barcode

**GTIN** 9329501066393

## Image -dimensions



Note: Dimensions are only a guide and may vary due to manufacturing variations.