

Last modification 2022-01-18

## CANTENA WB15-AB 9329501060667



Cantena is a bold yet simple vintage outdoor wall lamp. The tapered frame holds trapezoid clear glass and is suspended by a simple arm. The Cantena family is crafted in solid brass and finished in polished brass or brass painted in black. Available in 2 sizes, also as pendant.

### Overview

<b>Family name</b>	Cantena
<b>Categories</b>	Wall Brackets
<b>Mounting</b>	Surface
<b>Usage</b>	Outdoor Lighting

### Color / Material

<b>Fixture Color</b>	Antique Brass,Clear
<b>Fixture Material</b>	Solid Brass,Glass
<b>Canopy Color</b>	Antique Brass

### Size

<b>Fixture Width (cm)</b>	25
<b>Fixture Height (cm)</b>	29
<b>Fixture Projection (cm)</b>	20
<b>Canopy Diameter (cm)</b>	10
<b>Canopy Projection (cm)</b>	2.5
<b>Shade Bottom (cm)</b>	15
<b>Shade Height (cm)</b>	21

### Specification

<b>Voltage Input</b>	240V
<b>Wattage (max)</b>	25
<b>Globe Type</b>	E27
<b>Globe / Light Source qty</b>	1
<b>Globe / Light Source included</b>	No
<b>Electrical Protection</b>	CLASS I - HIGH VOLTAGE, EARTH REQUIRED
<b>IP rating</b>	IP44

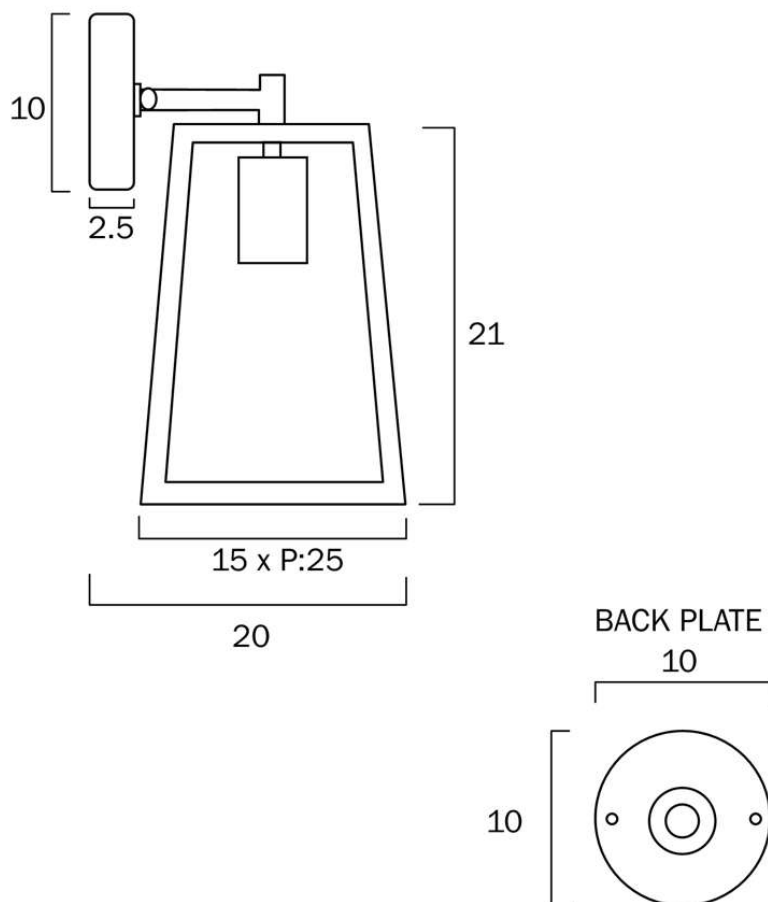
All representations within this document are subject to copyright. ELECTRICAL INSTALLATIONS MUST BE PERFORMED BY A QUALIFIED ELECTRICAL CONTRACTOR AND INSTALLED IN ACCORDANCE WITH AS/NZS 3000.  
NOTE : All images , descriptions and dimensions are indicative. Please check latest version of item detail on Telbix website prior to ordering or installation.

<b>Approvals</b>	AS/NZ 3000
<b>Assembly Required</b>	No
<b>Box Contents</b>	Basic mounting screws, Instruction
<b>Installation Required</b>	Yes (by Licensed Electrician only)
<b>Care Instructions</b>	Do not use strong liquid cleaners, Wipe clean with a dry cloth
<b>Warranty</b>	3 Years

Barcode

**GTIN** 9329501060667

Image -dimensions





Last modification 2022-01-18

**CANTENA WB15-BK**  
**9329501060674**



Cantena is a bold yet simple vintage outdoor wall lamp. The tapered frame holds trapezoid clear glass and is suspended by a simple arm. The Cantena family is crafted in solid brass and finished in polished brass or brass painted in black. Available in 2 sizes, also as pendant.

## Overview

<b>Family name</b>	Cantena
<b>Categories</b>	Wall Brackets
<b>Mounting</b>	Surface
<b>Usage</b>	Outdoor Lighting

## Color / Material

<b>Fixture Color</b>	Clear,Black
<b>Fixture Material</b>	Solid Brass,Glass
<b>Canopy Color</b>	Black

## Size

<b>Fixture Width (cm)</b>	25
<b>Fixture Height (cm)</b>	29
<b>Fixture Projection (cm)</b>	20
<b>Canopy Diameter (cm)</b>	10
<b>Canopy Projection (cm)</b>	2.5
<b>Shade Bottom (cm)</b>	15
<b>Shade Height (cm)</b>	21

## Specification

<b>Voltage Input</b>	240V
<b>Wattage (max)</b>	25
<b>Globe Type</b>	E27
<b>Globe / Light Source qty</b>	1
<b>Globe / Light Source included</b>	No
<b>Electrical Protection</b>	CLASS I - HIGH VOLTAGE, EARTH REQUIRED
<b>IP rating</b>	IP44

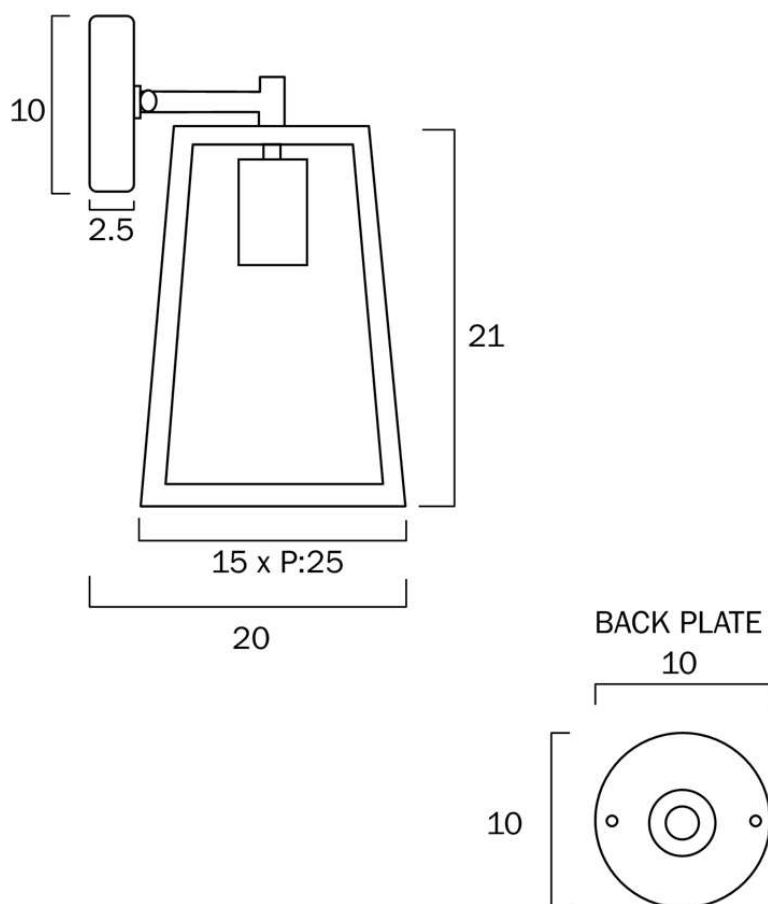
All representations within this document are subject to copyright. ELECTRICAL INSTALLATIONS MUST BE PERFORMED BY A QUALIFIED ELECTRICAL CONTRACTOR AND INSTALLED IN ACCORDANCE WITH AS/NZS 3000.  
NOTE : All images , descriptions and dimensions are indicative. Please check latest version of item detail on Telbix website prior to ordering or installation.

<b>Approvals</b>	AS/NZ 3000
<b>Assembly Required</b>	No
<b>Box Contents</b>	Basic mounting screws, Instruction
<b>Installation Required</b>	Yes (by Licensed Electrician only)
<b>Care Instructions</b>	Do not use strong liquid cleaners, Wipe clean with a dry cloth
<b>Warranty</b>	3 Years

Barcode

**GTIN** 9329501060674

Image -dimensions





Last modification 2022-01-18

## CANTENA WB25-AB 9329501060681



Cantena is a bold yet simple vintage outdoor wall lamp. The tapered frame holds trapezoid clear glass and is suspended by a simple arm. The Cantena family is crafted in solid brass and finished in polished brass or brass painted in black. Available in 2 sizes, also as pendant.

### Overview

<b>Family name</b>	Cantena
<b>Categories</b>	Wall Brackets
<b>Mounting</b>	Surface
<b>Usage</b>	Outdoor Lighting

### Color / Material

<b>Fixture Color</b>	Antique Brass,Clear
<b>Fixture Material</b>	Solid Brass,Glass
<b>Canopy Color</b>	Antique Brass

### Size

<b>Fixture Width (cm)</b>	25
<b>Fixture Height (cm)</b>	42
<b>Fixture Projection (cm)</b>	31
<b>Canopy Diameter (cm)</b>	10
<b>Canopy Projection (cm)</b>	2.5
<b>Shade Bottom (cm)</b>	25
<b>Shade Height (cm)</b>	33.5

### Specification

<b>Voltage Input</b>	240V
<b>Wattage (max)</b>	25
<b>Globe Type</b>	E27
<b>Globe / Light Source qty</b>	1
<b>Globe / Light Source included</b>	No
<b>Electrical Protection</b>	CLASS I - HIGH VOLTAGE, EARTH REQUIRED
<b>IP rating</b>	IP44

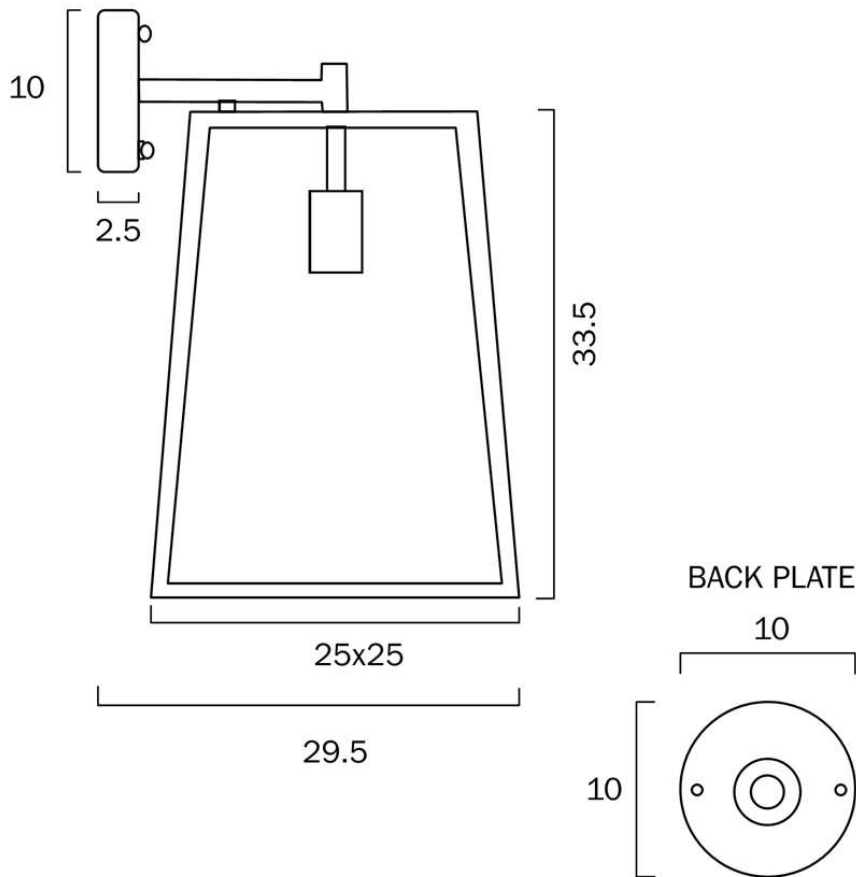
All representations within this document are subject to copyright. ELECTRICAL INSTALLATIONS MUST BE PERFORMED BY A QUALIFIED ELECTRICAL CONTRACTOR AND INSTALLED IN ACCORDANCE WITH AS/NZS 3000.  
NOTE : All images , descriptions and dimensions are indicative. Please check latest version of item detail on Telbix website prior to ordering or installation.

<b>Approvals</b>	AS/NZ 3000
<b>Assembly Required</b>	No
<b>Box Contents</b>	Basic mounting screws, Instruction
<b>Installation Required</b>	Yes (by Licensed Electrician only)
<b>Care Instructions</b>	Do not use strong liquid cleaners, Wipe clean with a dry cloth
<b>Warranty</b>	3 Years

Barcode

**GTIN** 9329501060681

Image -dimensions







Last modification 2022-01-18

## CANTENA WB25-BK 9329501060698



Cantena is a bold yet simple vintage outdoor wall lamp. The tapered frame holds trapezoid clear glass and is suspended by a simple arm. The Cantena family is crafted in solid brass and finished in polished brass or brass painted in black. Available in 2 sizes, also as pendant.

### Overview

<b>Family name</b>	Cantena
<b>Categories</b>	Wall Brackets
<b>Mounting</b>	Surface
<b>Usage</b>	Outdoor Lighting

### Color / Material

<b>Fixture Color</b>	Clear,Black
<b>Fixture Material</b>	Solid Brass,Glass
<b>Canopy Color</b>	Black

### Size

<b>Fixture Width (cm)</b>	25
<b>Fixture Height (cm)</b>	42
<b>Fixture Projection (cm)</b>	31
<b>Canopy Diameter (cm)</b>	10
<b>Canopy Projection (cm)</b>	2.5
<b>Shade Bottom (cm)</b>	25
<b>Shade Height (cm)</b>	33.5

### Specification

<b>Voltage Input</b>	240V
<b>Wattage (max)</b>	25
<b>Globe Type</b>	E27
<b>Globe / Light Source qty</b>	1
<b>Globe / Light Source included</b>	No
<b>Electrical Protection</b>	CLASS I - HIGH VOLTAGE, EARTH REQUIRED
<b>IP rating</b>	IP44

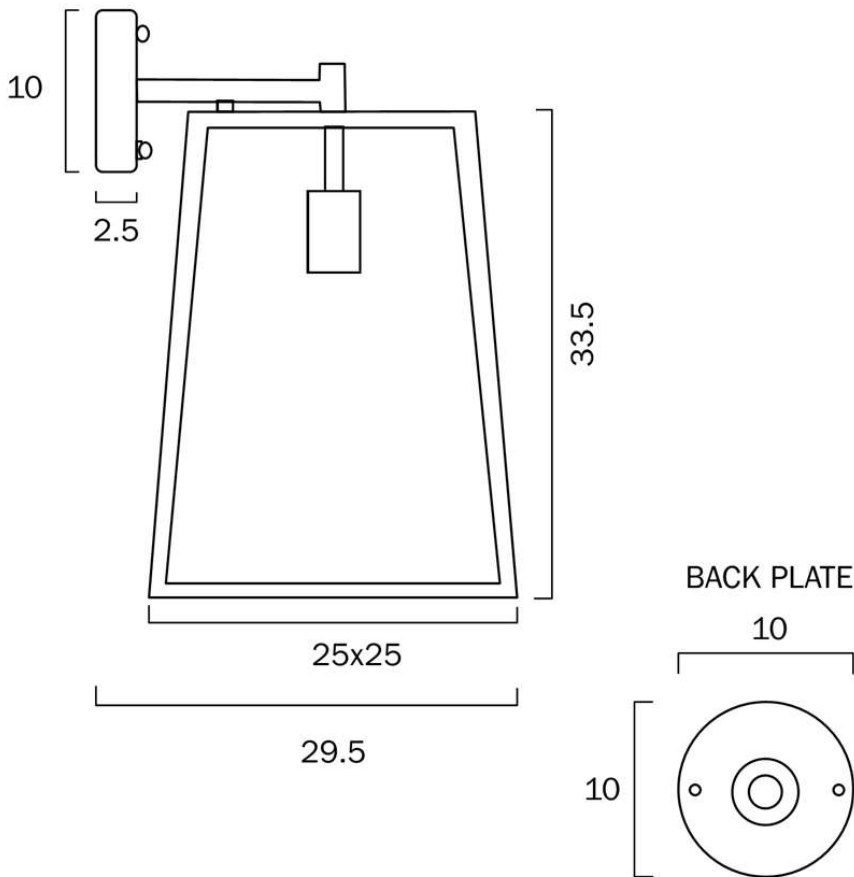
All representations within this document are subject to copyright. ELECTRICAL INSTALLATIONS MUST BE PERFORMED BY A QUALIFIED ELECTRICAL CONTRACTOR AND INSTALLED IN ACCORDANCE WITH AS/NZS 3000.  
NOTE : All images , descriptions and dimensions are indicative. Please check latest version of item detail on Telbix website prior to ordering or installation.

<b>Approvals</b>	AS/NZ 3000
<b>Assembly Required</b>	No
<b>Box Contents</b>	Basic mounting screws, Instruction
<b>Installation Required</b>	Yes (by Licensed Electrician only)
<b>Care Instructions</b>	Do not use strong liquid cleaners, Wipe clean with a dry cloth
<b>Warranty</b>	3 Years

Barcode

**GTIN** 9329501060698

Image -dimensions





Last modification 2022-01-18

## CANTENA PE15-AB 9329501060704



Cantena is a bold yet simple vintage outdoor pendant lamp. The tapered frame holds trapezoid clear glass and is suspended by a short rod with chain. The Cantena family is crafted in solid brass and finished in polished brass or brass painted in black. Available in 2 sizes, also as a wall lamp.

### Overview

<b>Family name</b>	Cantena
<b>Categories</b>	Pendants
<b>Mounting</b>	Surface
<b>This item includes</b>	Suspension
<b>Suspension Type</b>	Chain + Rod
<b>Usage</b>	Indoor Lighting,Outdoor Lighting

### Color / Material

<b>Fixture Color</b>	Antique Brass,Clear
<b>Fixture Material</b>	Solid Brass,Glass
<b>Canopy Color</b>	Antique Brass

### Size

<b>Fixture Length (cm)</b>	15
<b>Fixture Width (cm)</b>	25
<b>Fixture Height (cm)</b>	21
<b>Canopy Diameter (cm)</b>	10
<b>Canopy Projection (cm)</b>	2.5
<b>Shade Bottom (cm)</b>	15
<b>Shade Height (cm)</b>	21
<b>Suspension Length (cm)</b>	129

### Specification

<b>Voltage Input</b>	240V
<b>Wattage (max)</b>	25
<b>Globe Type</b>	E27
<b>Globe / Light Source qty</b>	1

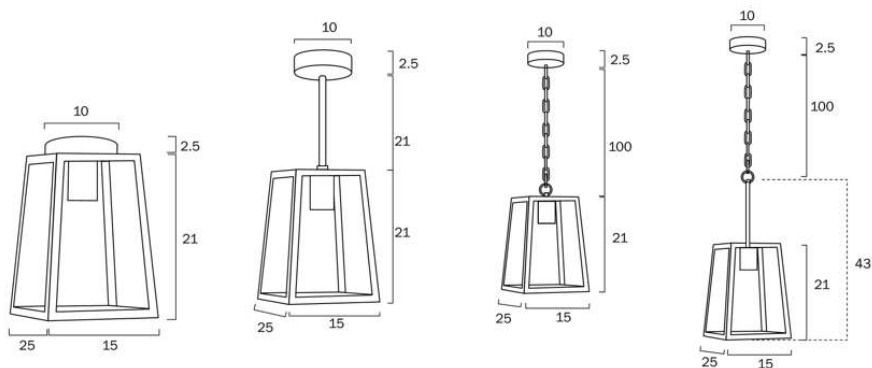
All representations within this document are subject to copyright.ELECTRICAL INSTALLATIONS MUST BE PERFORMED BY A QUALIFIED ELECTRICAL CONTRACTOR AND INSTALLED IN ACCORDANCE WITH AS/NZS 3000.  
NOTE : All images , descriptions and dimensions are indicative. Please check latest version of item detail on Telbix website prior to ordering or installation.

<b>Globe / Light Source included</b>	No
<b>Electrical Protection</b>	CLASS I - HIGH VOLTAGE, EARTH REQUIRED
<b>IP rating</b>	IP44
<b>Approvals</b>	AS/NZ 3000
<b>Assembly Required</b>	No
<b>Box Contents</b>	Basic mounting screws, Instruction
<b>Installation Required</b>	Yes (by Licensed Electrician only)
<b>Care Instructions</b>	Do not use strong liquid cleaners, Wipe clean with a dry cloth
<b>Warranty</b>	3 Years

## Barcode

**GTIN** 9329501060704

## Image -dimensions





Last modification 2022-01-18

## CANTENA PE15-BK 9329501060711



Cantena is a bold yet simple vintage outdoor pendant lamp. The tapered frame holds trapezoid clear glass and is suspended by a short rod with chain. The Cantena family is crafted in solid brass and finished in polished brass or brass painted in black. Available in 2 sizes, also as a wall lamp.

### Overview

<b>Family name</b>	Cantena
<b>Categories</b>	Pendants
<b>Mounting</b>	Surface
<b>This item includes</b>	Suspension
<b>Suspension Type</b>	Chain + Rod
<b>Usage</b>	Indoor Lighting,Outdoor Lighting

### Color / Material

<b>Fixture Color</b>	Clear,Black
<b>Fixture Material</b>	Solid Brass,Glass
<b>Canopy Color</b>	Black

### Size

<b>Fixture Length (cm)</b>	15
<b>Fixture Width (cm)</b>	25
<b>Fixture Height (cm)</b>	21
<b>Canopy Diameter (cm)</b>	10
<b>Canopy Projection (cm)</b>	2.5
<b>Shade Bottom (cm)</b>	15
<b>Shade Height (cm)</b>	21
<b>Suspension Length (cm)</b>	129

### Specification

<b>Voltage Input</b>	240V
<b>Wattage (max)</b>	25
<b>Globe Type</b>	E27
<b>Globe / Light Source qty</b>	1

All representations within this document are subject to copyright.ELECTRICAL INSTALLATIONS MUST BE PERFORMED BY A QUALIFIED ELECTRICAL CONTRACTOR AND INSTALLED IN ACCORDANCE WITH AS/NZS 3000.  
NOTE : All images , descriptions and dimensions are indicative. Please check latest version of item detail on Telbix website prior to ordering or installation.

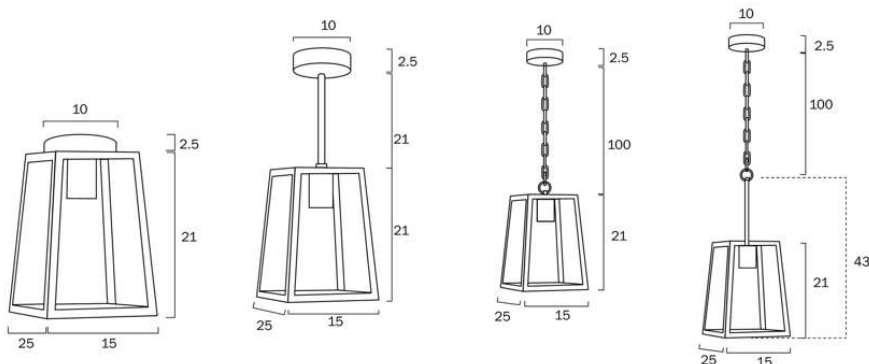


<b>Globe / Light Source included</b>	No
<b>Electrical Protection</b>	CLASS I - HIGH VOLTAGE, EARTH REQUIRED
<b>IP rating</b>	IP44
<b>Approvals</b>	AS/NZ 3000
<b>Assembly Required</b>	No
<b>Box Contents</b>	Basic mounting screws, Instruction
<b>Installation Required</b>	Yes (by Licensed Electrician only)
<b>Care Instructions</b>	Do not use strong liquid cleaners, Wipe clean with a dry cloth
<b>Warranty</b>	3 Years

Barcode

**GTIN** 9329501060711

Image -dimensions





Last modification 2022-01-18

## CANTENA PE25-AB 9329501060728



Cantena is a bold yet simple vintage outdoor pendant lamp. The tapered frame holds trapezoid clear glass and is suspended by a short rod with chain. The Cantena family is crafted in solid brass and finished in polished brass or brass painted in black. Available in 2 sizes, also as a wall lamp.

### Overview

<b>Family name</b>	Cantena
<b>Categories</b>	Pendants
<b>Mounting</b>	Surface
<b>This item includes</b>	Suspension
<b>Suspension Type</b>	Chain + Rod
<b>Usage</b>	Indoor Lighting,Outdoor Lighting

### Color / Material

<b>Fixture Color</b>	Antique Brass,Clear
<b>Fixture Material</b>	Solid Brass,Glass
<b>Canopy Color</b>	Antique Brass

### Size

<b>Fixture Length (cm)</b>	25
<b>Fixture Width (cm)</b>	25
<b>Fixture Height (cm)</b>	33.5
<b>Canopy Diameter (cm)</b>	10
<b>Canopy Projection (cm)</b>	2.5
<b>Shade Bottom (cm)</b>	25
<b>Shade Height (cm)</b>	33.5
<b>Suspension Length (cm)</b>	129

### Specification

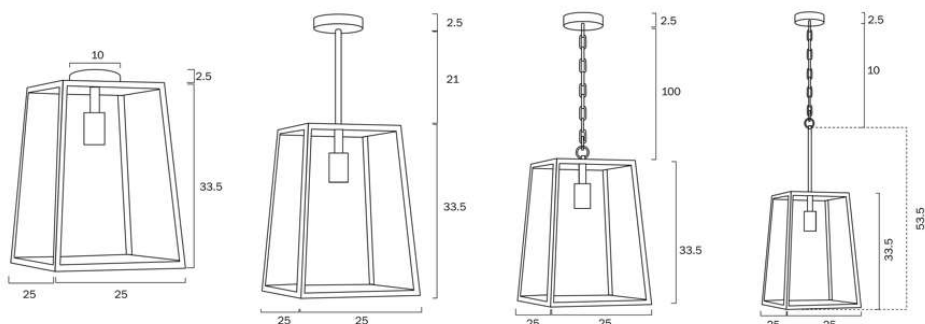
<b>Voltage Input</b>	240V
<b>Wattage (max)</b>	25
<b>Globe Type</b>	E27
<b>Globe / Light Source qty</b>	1

<b>Globe / Light Source included</b>	No
<b>Electrical Protection</b>	CLASS I - HIGH VOLTAGE, EARTH REQUIRED
<b>IP rating</b>	IP44
<b>Approvals</b>	AS/NZ 3000
<b>Assembly Required</b>	No
<b>Box Contents</b>	Basic mounting screws, Instruction
<b>Installation Required</b>	Yes (by Licensed Electrician only)
<b>Care Instructions</b>	Do not use strong liquid cleaners, Wipe clean with a dry cloth
<b>Warranty</b>	3 Years

## Barcode

**GTIN** 9329501060728

## Image -dimensions





Last modification 2022-01-18

## CANTENA PE25-BK 9329501060735



Cantena is a bold yet simple vintage outdoor pendant lamp. The tapered frame holds trapezoid clear glass and is suspended by a short rod with chain. The Cantena family is crafted in solid brass and finished in polished brass or brass painted in black. Available in 2 sizes, also as a wall lamp.

### Overview

<b>Family name</b>	Cantena
<b>Categories</b>	Pendants
<b>Mounting</b>	Surface
<b>This item includes</b>	Suspension
<b>Suspension Type</b>	Chain + Rod
<b>Usage</b>	Indoor Lighting,Outdoor Lighting

### Color / Material

<b>Fixture Color</b>	Clear,Black
<b>Fixture Material</b>	Solid Brass,Glass
<b>Canopy Color</b>	Black

### Size

<b>Fixture Length (cm)</b>	25
<b>Fixture Width (cm)</b>	25
<b>Fixture Height (cm)</b>	33.5
<b>Canopy Diameter (cm)</b>	10
<b>Canopy Projection (cm)</b>	2.5
<b>Shade Bottom (cm)</b>	25
<b>Shade Height (cm)</b>	33.5
<b>Suspension Length (cm)</b>	129

### Specification

<b>Voltage Input</b>	240V
<b>Wattage (max)</b>	25
<b>Globe Type</b>	E27
<b>Globe / Light Source qty</b>	1

All representations within this document are subject to copyright.ELECTRICAL INSTALLATIONS MUST BE PERFORMED BY A QUALIFIED ELECTRICAL CONTRACTOR AND INSTALLED IN ACCORDANCE WITH AS/NZS 3000.  
NOTE : All images , descriptions and dimensions are indicative. Please check latest version of item detail on Telbix website prior to ordering or installation.

<b>Globe / Light Source included</b>	No
<b>Electrical Protection</b>	CLASS I - HIGH VOLTAGE, EARTH REQUIRED
<b>IP rating</b>	IP44
<b>Approvals</b>	AS/NZ 3000
<b>Assembly Required</b>	No
<b>Box Contents</b>	Basic mounting screws, Instruction
<b>Installation Required</b>	Yes (by Licensed Electrician only)
<b>Care Instructions</b>	Do not use strong liquid cleaners, Wipe clean with a dry cloth
<b>Warranty</b>	3 Years

## Barcode

**GTIN** 9329501060735

## Image -dimensions

