

Last modification

2022-09-16

## DELFINO EX-SL 9329501063514



The DELFINO exterior wall lamp emits an appealing glow through its frosted glass. Based on classical Spanish design, the decorative aluminium castings provide that vintage look for your outdoor space. Available in 4 colors.

### Overview

<b>Family name</b>	Delfino
<b>Categories</b>	Coach Lights
<b>Mounting</b>	Surface
<b>This item includes</b>	Glass
<b>Usage</b>	Outdoor Lighting

### Color / Material

<b>Fixture Color</b>	Silver,Frost
<b>Fixture Finish</b>	Brushed
<b>Fixture Material</b>	Aluminium,Glass
<b>Canopy Color</b>	Silver
<b>Diffuser Material</b>	Glass
<b>Glass Color</b>	Frost

### Size

<b>Fixture Height (cm)</b>	40.5
<b>Fixture Projection (cm)</b>	24.0

### Specification

<b>Voltage Input</b>	240V
<b>Wattage (max)</b>	25
<b>Globe Type</b>	E27
<b>Globe / Light Source qty</b>	1
<b>Globe / Light Source included</b>	No
<b>Dimmable</b>	Globe Dependant
<b>Electrical Protection</b>	CLASS I - HIGH VOLTAGE, EARTH REQUIRED
<b>IP rating</b>	IP44
<b>Lead and Plug</b>	No

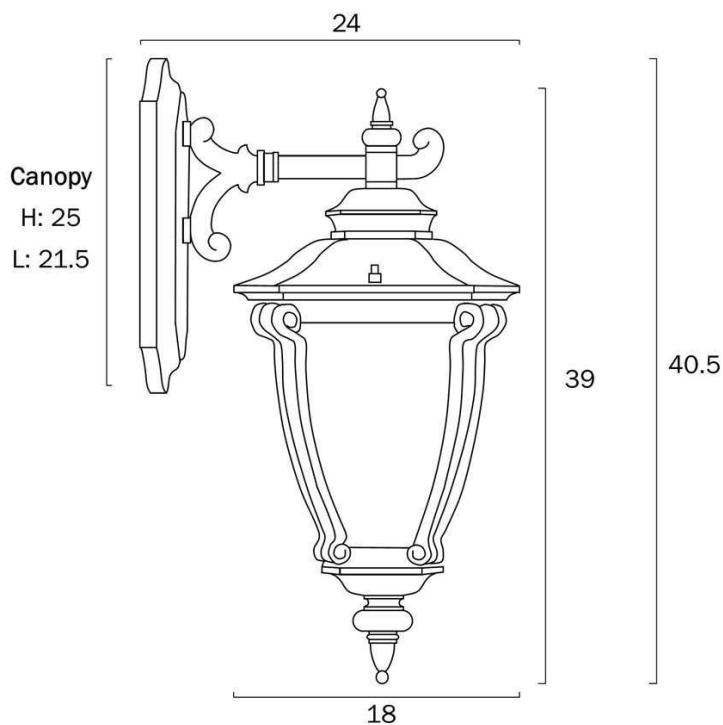
All representations within this document are subject to copyright. ELECTRICAL INSTALLATIONS MUST BE PERFORMED BY A QUALIFIED ELECTRICAL CONTRACTOR AND INSTALLED IN ACCORDANCE WITH AS/NZS 3000.  
NOTE : All images , descriptions and dimensions are indicative. Please check latest version of item detail on Telbix website prior to ordering or installation.

<b>Approvals</b>	RCM
<b>Box Contents</b>	Basic mounting screws, Instruction
<b>Installation Required</b>	Yes (by Licensed Electrician only)
<b>Care Instructions</b>	Do not use strong liquid cleaners, Wipe clean with a dry cloth
<b>Warranty</b>	*3 Years

Barcode

**GTIN** 9329501063514

Image -dimensions



Note: Dimensions are only a guide and may vary due to manufacturing variations.

