

# DIANE

The Diane oscillating directional ceiling fan provides maximum, multi-directional airflow.

The Diane can be hung in small, awkward spaces or in front of HVAC ducts to make more efficient the heating, ventilation or air conditioning of any room. Constructed of cast aluminium and heavy stamped steel, the Diane carries a limited lifetime warranty



\*for metal blades only

- The Diane is available in the following metal finishes:
  - > Textured Bronze
  - > Brushed Nickel
- The Diane is available with the following blade options:
  - > hand-balanced solid wood blades without blade guards
  - > hand-balanced metal blades with decorative metal blade guards
  - > hand-balanced metal blades with metal safety cages for low ceilings
- Not suitable for coastal locations.

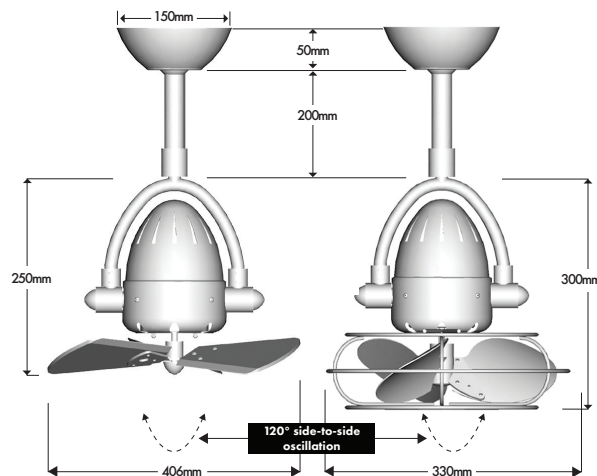


The Diane is supplied with:

- RF remote control with wall cradle
- Angled ceiling canopy for ceilings up to 29 degrees
- 10"/25cm downrod (Max 10cm can be cut if required)

Optional Accessories:

- 3 Speed wall control
- 30"/76cm) or 72"/183cm extension downrods



Timber Blades  
**Airflow**  
 1,609 cfm  
**Electricity Use**  
 70-watt  
**Airflow Efficiency**  
 22.98 cfm/watt

Metal Blades  
**Airflow**  
 1,423 cfm  
**Electricity Use**  
 70-watt  
**Airflow Efficiency**  
 20.33 cfm/watt

