



# Enviro DC

## 60" 1524mm

CEILING FAN



**6 Years Warranty\***  
3 Years In-Home

Airflow	
Efficiency	

Max Motor Wattage	35W DC
Max Airflow	15,522m <sup>3</sup> /hr
Controller Type	6 speed remote with summer/winter and timer functions
Materials	Rust-Proof ABS
Installation Locations	Indoor and Covered Outdoor
Warranty	6 Year Warranty *3 Year In-Home, 12 Months Remote and Receiver PLUS 3 Year Parts Upon Product Registration



### Light and Easy

Light up your space with up to 2370 lumens of bright dimmable LED light enabled with the latest tri-colour tech.



### Easy on the Eyes, Ears and Environment

Features a 35W DC Motor. This modern Enviro ceiling fan is a perfect all-rounder offering powerful airflow, energy efficiency and whisper-quiet operation.



### Tailor to your Space

With light and dark timber woodgrain finish options available.



### Be Blown Away

With up to 15,522m<sup>3</sup>/hr of quiet airflow, adaptable for ultimate comfort with 6-speed options, summer/winter control and timer function through included remote control.



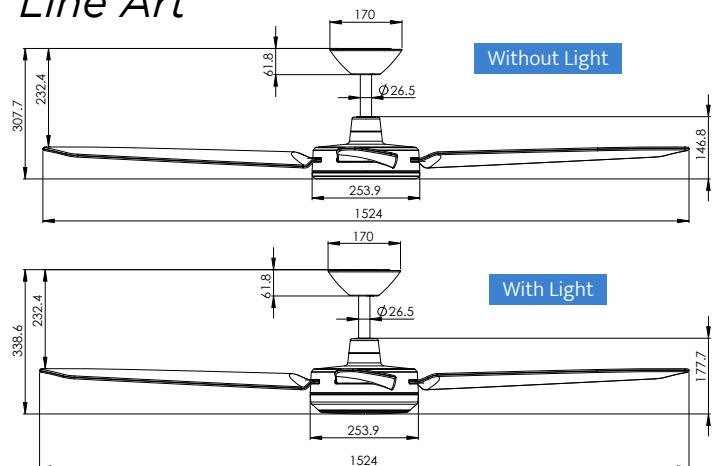
### The Great Outdoors

Made with durable ABS, this ceiling fan is made for the harsh Aussie climate, the Enviro performs beautifully indoor or in covered outdoor spaces.

## With Light Option

Lumen Output	1443lm - 2370lm - 2123lm
Available Colour Temperatures	3000K - 4000K - 6000K
Light Kit Wattage	18W LED
Dimmable	Yes, Step dimmable

## Line Art





# Enviro DC

## 60" 1524mm

CEILING FAN

### Available Accessories

- ABS Timber Texture Blades
- DC Wall Controller Kit
- Raked Ceiling Kit
- 900mm Extension Rod
- COMING SOON** Smart Home Adaptor

### What's in the box?

- 1 x Fan
- 1 x Remote Control
- 1 x Installation & Operation Manual

### Packaging

CARTON SIZE: 730mm x 290mm x 315mm

#### No Light

GROSS WEIGHT: 7.54kg  
NET WEIGHT: 6.44kg

#### With Light

GROSS WEIGHT: 8.13kg  
NET WEIGHT: 7.03kg

### Product Variations

