

Last modification

2023-12-13

GENARO W115-3CCT 9329501054017



The Genaro Wide Body Batten is a versatile lighting solution suitable for both commercial and domestic settings. Offering customizable illumination, it features selectable white color options and adjustable power/brightness settings. The batten is equipped with a convenient snap-on polycarbonate diffuser, ensuring optimal light distribution. With an oversized cable entry and terminal block, installation is hassle-free. Available in lengths of 60 or 120 cm, the Genaro Wide Body Batten provides a sleek and efficient lighting solution for various spaces, meeting diverse preferences and requirements.

Overview

Family name	Genaro
Categories	Battens
Mounting	Surface
Usage	Indoor Lighting
ERAC Product Registration	GMA-516606

Color / Material

Fixture Color	White, Opaline
Fixture Material	SPCC

Size

Fixture Length (cm)	115.0
Fixture Width (cm)	16.0
Fixture Projection (cm)	6.3

Specification

Voltage Input	240V
Total Wattage (max)	36
Wattage	18
Globe Type	LED integrated SMD
Globe / Light Source qty	2
Globe / Light Source included	Yes
Lumens	3960
Color Temperature	Warm White; Natural White; Cool White
Color Kelvin	3 CCT (3000k - 4000k - 5700k)

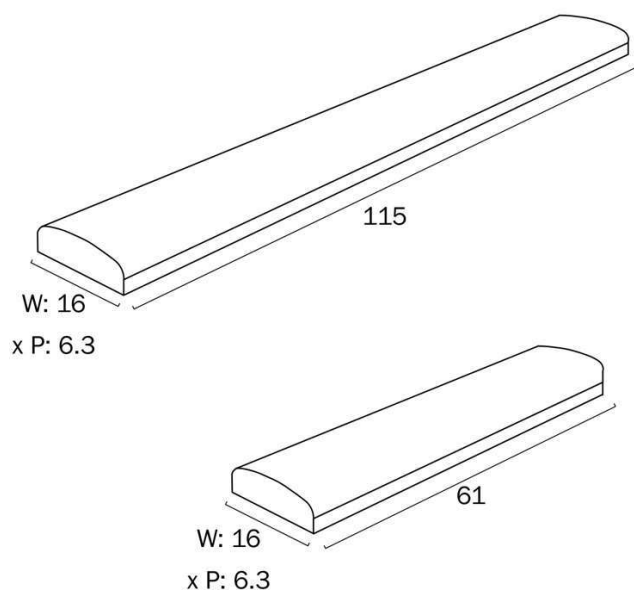
All representations within this document are subject to copyright. ELECTRICAL INSTALLATIONS MUST BE PERFORMED BY A QUALIFIED ELECTRICAL CONTRACTOR AND INSTALLED IN ACCORDANCE WITH AS/NZS 3000.
NOTE : All images , descriptions and dimensions are indicative. Please check latest version of item detail on Telbix website prior to ordering or installation.

Additional Functions	Adjustable power/brightness switch
Electrical Protection	CLASS I - HIGH VOLTAGE, EARTH REQUIRED
IP rating	IP20
Approvals	RCM
Installation Required	Yes (by Licensed Electrician only)
Care Instructions	Do not use strong liquid cleaners, Wipe clean with a dry cloth
Replacement Warranty	*3 Years

Barcode

GTIN 9329501054017

Image -dimensions



Note: Dimensions are only a guide and may vary due to manufacturing variations.



