

Last modification 2023-10-03

## ILLUME EX1S-WH 9329501065532



The Illume Series Security Spotlight is a practical and functional lighting solution for enhancing the security of your home or business. With the option to choose from a spotlight with or without a movement sensor, the Illume Series offers customisable security lighting. The 270-degree swivelling feature allows for maximum coverage and versatility in positioning. The robust aluminium and polycarbonate construction provides durability and protection against the elements. The Illume Series Security Spotlight is a reliable and effective way to improve the safety and security of your property.

### Overview

<b>Family name</b>	Illume
<b>Categories</b>	Flood Lights
<b>Mounting</b>	Surface
<b>Usage</b>	Outdoor Lighting, Trade Selection

### Color / Material

<b>Fixture Color</b>	White
<b>Fixture Material</b>	Aluminium, Polycarbonate
<b>Canopy Color</b>	White

### Size

<b>Fixture Length (cm)</b>	12.1
<b>Fixture Height (cm)</b>	23.8
<b>Fixture Projection (cm)</b>	16.7
<b>Base Diameter (cm)</b>	12.1

### Specification

<b>Voltage Input</b>	240V
<b>Total Wattage (max)</b>	10
<b>Globe Type</b>	LED integrated SMD
<b>Globe / Light Source qty</b>	1
<b>Globe / Light Source included</b>	Yes
<b>Lumens</b>	800
<b>Color Temperature</b>	Cool White
<b>Color Kelvin</b>	5000k

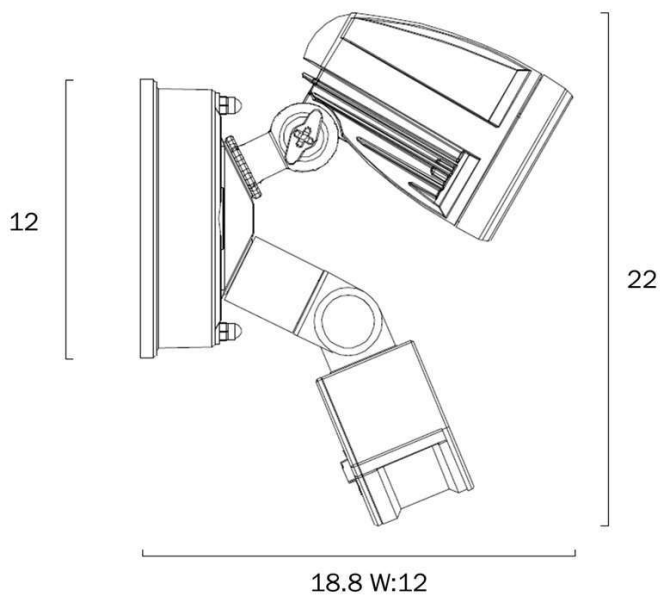
All representations within this document are subject to copyright. ELECTRICAL INSTALLATIONS MUST BE PERFORMED BY A QUALIFIED ELECTRICAL CONTRACTOR AND INSTALLED IN ACCORDANCE WITH AS/NZS 3000.  
NOTE : All images , descriptions and dimensions are indicative. Please check latest version of item detail on Telbix website prior to ordering or installation.

<b>Color Rendering</b>	>80
<b>Dimmable</b>	No
<b>IP rating</b>	IP44
<b>Lead and Plug</b>	No
<b>Approvals</b>	RCM
<b>Box Contents</b>	Basic mounting screws, Instruction
<b>Installation Required</b>	Yes (by Licensed Electrician only)
<b>Care Instructions</b>	Do not use strong liquid cleaners, Wipe clean with a dry cloth
<b>Replacement Warranty</b>	*3 Years

## Barcode

**GTIN** 9329501065532

## Image -dimensions



Note: Dimensions are only a guide and may vary due to manufacturing variations.

