



Irene HLK

Irene 3HLK shown in
Brushed Nickel



Irene 3HLK shown in
Polished Chrome



Irene 3HLK
shown in
Matte Black



Irene 3HLK shown in
Textured Bronze with Light Cap



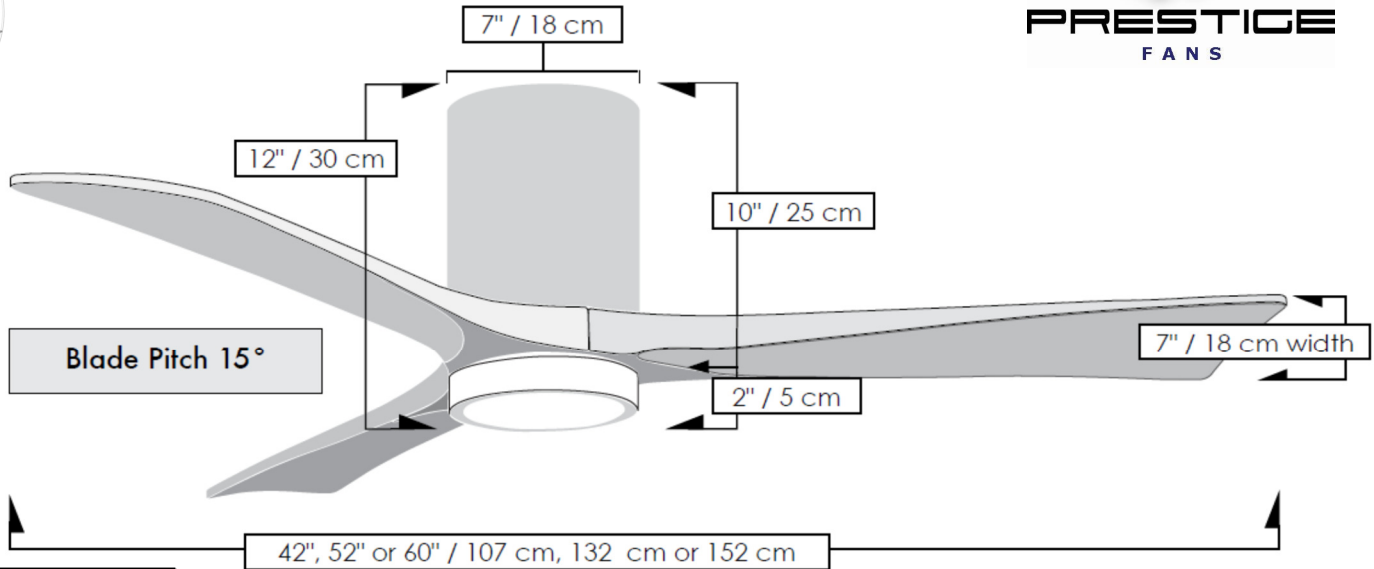
Irene 5HLK shown in
Gloss White



Cutting a figure like no other, the Irene HLK is rustic, yet strikingly modern with either three or five neatly joined propeller-shaped, solid walnut-stained wooden blades.

A cylindrical motor housing complements its minimal profile. Irene HLK is streamline while still appearing warm and natural .

- Available in three sizes: 42"/107cm, 52"/132cm or 60"/152cm diameter with solid wood, walnut-stained machine-cut blades
- Energy efficient, ultra-quiet, six-speed, reversible DC motor with new, reliable technology.
- Integrated 16W Dimmable LED light with optional light cover should you not want the light.
- Constructed of cast aluminium and heavy stamped steel.
- Damp location finishes. Brushed Nickel, Gloss White, Matte Black, Polished Chrome & Textured Bronze
- Not coastal, saltwater nor chlorine compatible.
- Limited Lifetime Warranty
- Standard equipment:
 - Reverse on six speed, hand-held and wall-mountable remote control.

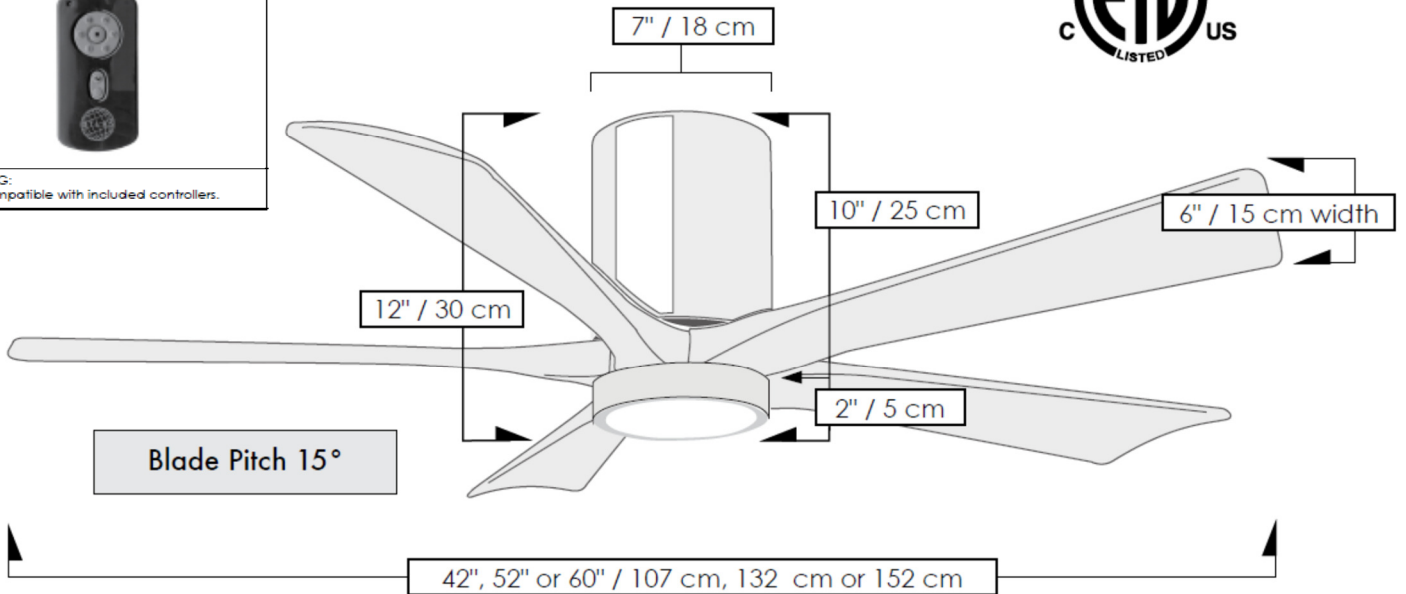


STANDARD EQUIPMENT

6-speed RF remote control with reverse function in black



WARNING:
Only compatible with included controllers.



Irene HLK

MOTOR EFFICIENCY DATA						
	42 inch / 107cm		52 inch / 132cm		60 inch / 152cm	
	IRENE 3HLK	IRENE 5HLK	IRENE 3HLK	IRENE 5HLK	IRENE 3HLK	IRENE 5HLK
RPM (Low / High)	51 / 231	51 / 220	51 / 193	51 / 179	51 / 155	51 / 88
CMH (Low / High)	1267 / 6359	1464 / 7165	2130 / 9048	2060 / 8073	2981 / 9718	3597 / 6222
Watts (High)	17.61	31.66	32.38	31.12	32.08	30.78

LIGHT KIT PHOTOMETRICS						
Lamping (Replaceable)	Remote Dimmable	Delivered Temperature in K	Delivered Lumens	CRI	Watts	Hours
Integrated LED	Yes	3075	690	90	16	60,000
Light kit longevity if used 6 Hours/Day: 27.4 Years						