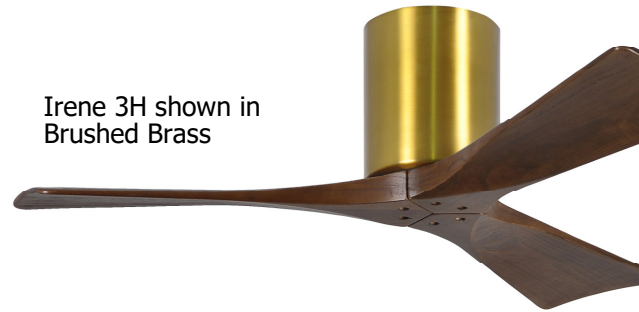




Irene H



Irene 5H shown in
Brushed Nickel



Irene 3H shown in
Brushed Brass



Irene 3H shown in
Matte Black



Irene 3H shown in
Polished Chrome



Irene 5H shown in
Textured Bronze



Irene 3H shown in
Gloss White

Cutting a figure like no other, the Irene Hugger is rustic, yet strikingly modern with either three or five neatly joined propeller-shaped, solid walnut-stained wooden blades.

A cylindrical motor housing complements its minimal profile. Irene H is streamline while still appearing warm and natural .

- Available in three sizes: 42"/107cm, 52"/132cm or 60"/152cm diameter with solid wood, walnut-stained machine-cut blades
- Energy efficient, ultra-quiet, six-speed, reversible DC motor with new, reliable technology.
- Constructed of cast aluminium and heavy stamped steel.
- Damp location finishes. Brushed Brass, Brushed Nickel, Gloss White, Matte Black, Polished Chrome & Textured Bronze
- Not coastal, saltwater nor chlorine compatible.
- Limited Lifetime Warranty
- Standard equipment:
 - Reverse on six speed, hand-held and wall-mountable remote control.



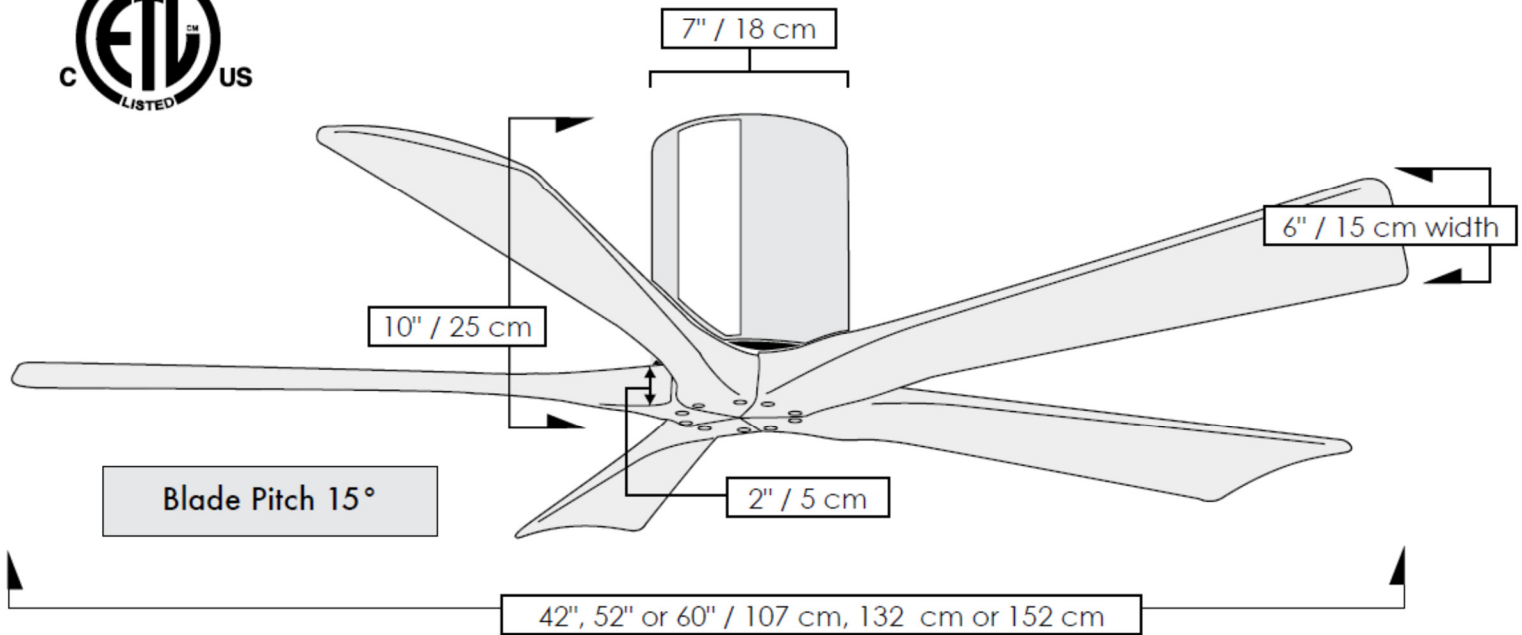
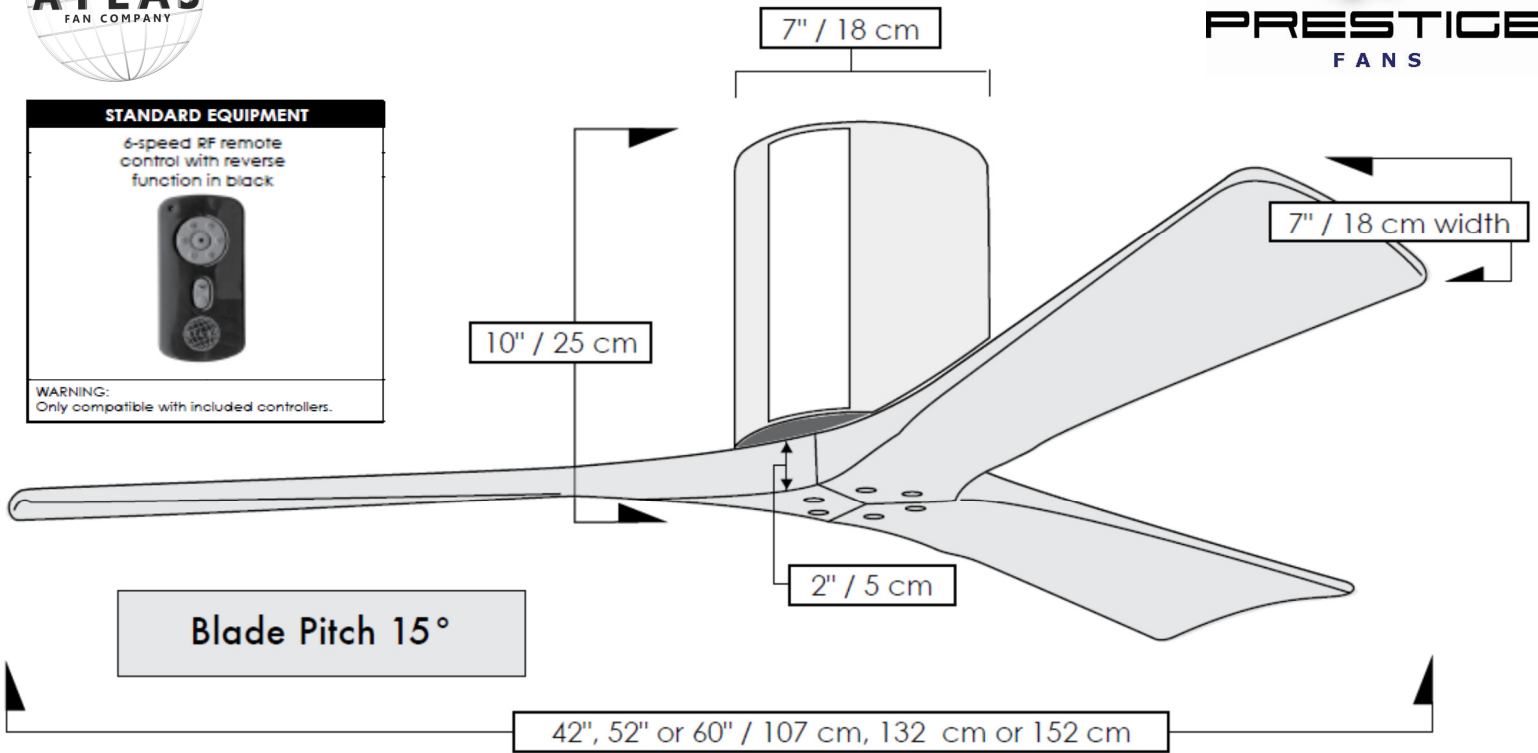
PRESTIGE
FANS

STANDARD EQUIPMENT

6-speed RF remote control with reverse function in black



WARNING:
Only compatible with included controllers.



Irene H

MOTOR EFFICIENCY DATA						
	42 inch / 107cm		52 inch / 132cm		60 inch / 152cm	
	IRENE 3H	IRENE 5H	IRENE 3H	IRENE 5H	IRENE 3H	IRENE 5H
RPM (Low / High)	51 / 231	51 / 229	51 / 193	51 / 151	51 / 155	51 / 78
CMH (Low / High)	1267 / 6359	1452 / 6777	2130 / 9048	2771 / 8444	2981 / 9718	3739 / 6019
Watts (High)	17.61	25.76	32.38	31.46	32.08	31.58