

Last modification

2023-01-16

**KATHY TL-SL**  
**9329501050767**



## Overview

<b>Family name</b>	Kathy
<b>Categories</b>	Table Lamps
<b>This item includes</b>	Shade
<b>Shade Shape</b>	Drum Tapered
<b>Switch</b>	Inline Switch
<b>Usage</b>	Indoor Lighting

## Color / Material

<b>Fixture Color</b>	Antique Gold,Green
<b>Fixture Material</b>	Metal,Ceramic
<b>Shade Color</b>	Wheat
<b>Shade Material</b>	Fabric,Plastic
<b>Base Color</b>	Antique Brass
<b>Base Material</b>	Ceramic,Metal
<b>Cable Color</b>	Black
<b>Cable Material</b>	PVC

## Size

<b>Fixture Diameter (cm)</b>	35.0
<b>Fixture Height (cm)</b>	56.0
<b>Cable Length (cm)</b>	180 (30+Inline Switch+150)

## Specification

<b>Voltage Input</b>	240V
<b>Wattage (max)</b>	25
<b>Globe Type</b>	E27
<b>Globe / Light Source qty</b>	1
<b>Globe / Light Source included</b>	No
<b>Dimmable</b>	Globe Dependant
<b>Electrical Protection</b>	CLASS II - DOUBLE INSULATED, EARTH NOT REQUIRED
<b>IP rating</b>	IP20
<b>Lead and Plug</b>	Yes

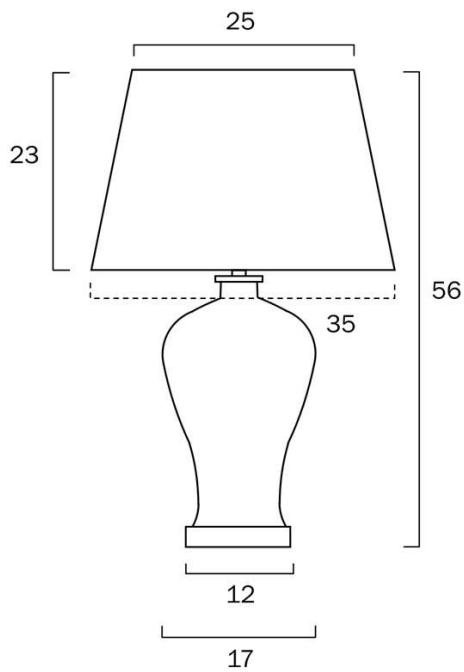
All representations within this document are subject to copyright. ELECTRICAL INSTALLATIONS MUST BE PERFORMED BY A QUALIFIED ELECTRICAL CONTRACTOR AND INSTALLED IN ACCORDANCE WITH AS/NZS 3000.  
NOTE : All images , descriptions and dimensions are indicative. Please check latest version of item detail on Telbix website prior to ordering or installation.

<b>Approvals</b>	RCM
<b>Box Contents</b>	Instruction
<b>Care Instructions</b>	Do not use strong liquid cleaners,Wipe clean with a dry cloth
<b>Replacement Warranty</b>	*3 Years

Barcode

**GTIN** 9329501050767

Image -dimensions







www.telbix.com 29