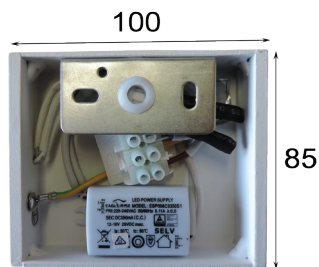
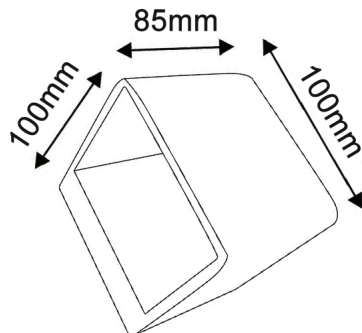


LONDON

LED Interior Surface Mounted Wall Light

- Input voltage: 220-240V AC 50/60Hz
- Inbuilt constant current LED driver included
- Driver output voltage: 12-18V
- Driver input current: 0.11A
- Driver output current: 0.35A
- Power factor: 0.5
- Material: aluminium powder coated white
- Ambient Temp: -20 to 50°C (The life of the lamp will gradually reduce if used outside these temperature parameters)
- Not suitable for dimming
- Suitable for 2-way switching
- Suitable for use with PIR & Microwave sensors

30,000hr Lifetime	120° Beam Angle	IP20 Rated	2YEAR Replacement Warranty
----------------------	--------------------	----------------------	---



Back Plate
Depth: 27mm
Mounting Plate: 60x25mm



PART NO.	KELVIN (K)	LUMENS (LM)	Lumious Efficiency (lm/W)	WATT (W)	LEDs	CRI	WEIGHT (Kg)	BOX (cm)	CARTON QTY
LONDON	3000	450	68	6	6pcs 5050	>=80	0.60	11.5x9.5x11	12

Brochure updated on 11.05.2018