

Last modification

2021-07-20

**LUC.G8-BK83-826**

**9329501054673**



The LUC G series is a recessed inground LED luminaire.

The modern design is small and discreet but bright and can therefore optimally illuminate and set the scene for walkways, gardens, and terraces. Directed the light upwards to create an atmospheric highlight on walls or sculptures. It blends flush into the ground and is simple, functional, and available in 3 sizes.

With an operating voltage of 8-26 volt and a water-protected rating of IP65, it is a versatile and safe lighting solution for outdoor areas. Other fixtures in the LUC series can be combined to form a complete outdoor space solution.

A 12 or 24 volt AC transformer is recommended to power up this fixture.

## Overview

<b>Family name</b>	Luc
<b>Item Type</b>	Inground Light (G)
<b>Mounting</b>	Recess

## Color / Material

<b>Fixture Color 1</b>	Black (BK)
<b>Diffuser Colour</b>	Clear
<b>Diffuser Material</b>	Glass

## Size

<b>Fixture Diameter (cm)</b>	7.5
<b>Fixture Height (cm)</b>	9.2

## Specification

<b>Voltage Input</b>	240V
<b>Wattage (max)</b>	3
<b>Wattage</b>	8W
<b>Globe Type</b>	LED integrated COB
<b>Globe / Light Source qty</b>	1
<b>Globe / Light Source included</b>	Yes
<b>Lumens</b>	700
<b>Color Kelvin</b>	3000k
<b>Color Rendering</b>	>84

All representations within this document are subject to copyright. ELECTRICAL INSTALLATIONS MUST BE PERFORMED BY A QUALIFIED ELECTRICAL CONTRACTOR AND INSTALLED IN ACCORDANCE WITH AS/NZS 3000.  
NOTE : All images , descriptions and dimensions are indicative. Please check latest version of item detail on Telbix website prior to ordering or installation.

<b>Dimmable</b>	No
<b>Beam Angle</b>	36
<b>IP rating</b>	IP65
<b>Warranty</b>	3 Years

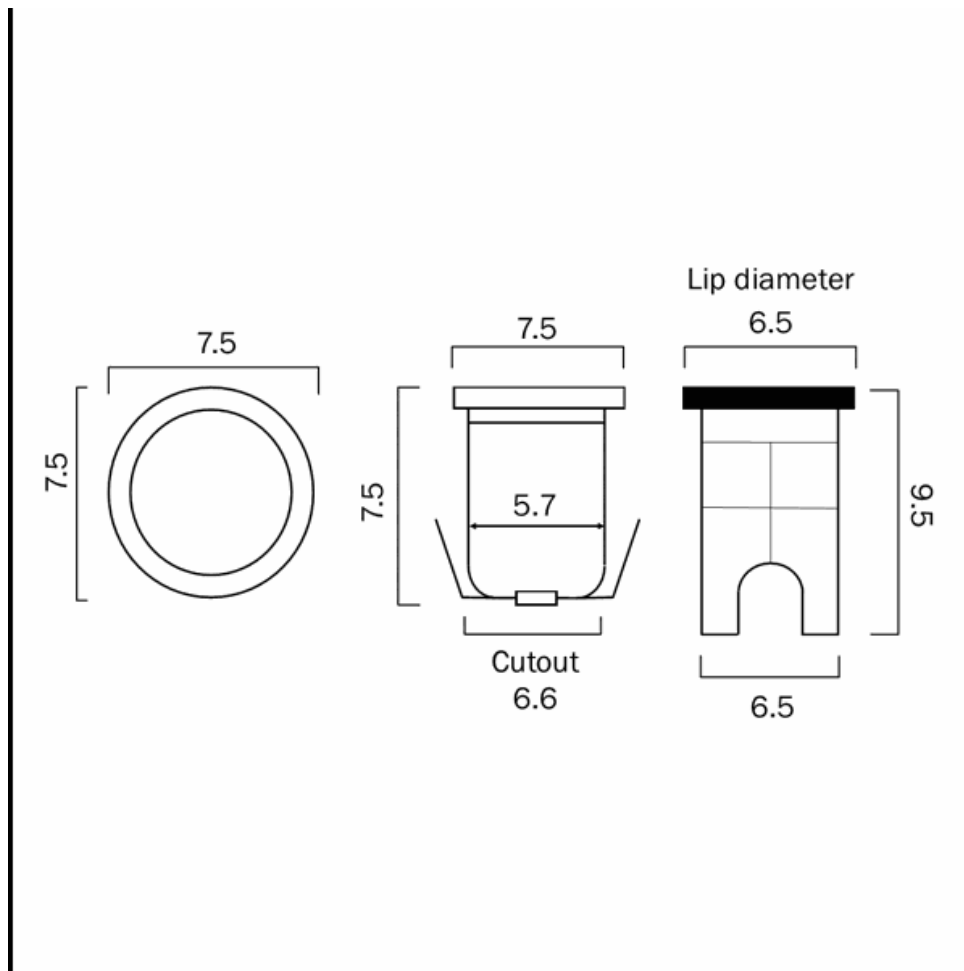
### Barcode

**GTIN** 9329501054673

### Pricing

**PRICE - RRP incGST** 69.0

### Image -dimensions



All representations within this document are subject to copyright. ELECTRICAL INSTALLATIONS MUST BE PERFORMED BY A QUALIFIED ELECTRICAL CONTRACTOR AND INSTALLED IN ACCORDANCE WITH AS/NZS 3000.  
NOTE : All images , descriptions and dimensions are indicative. Please check latest version of item detail on Telbix website prior to ordering or installation.