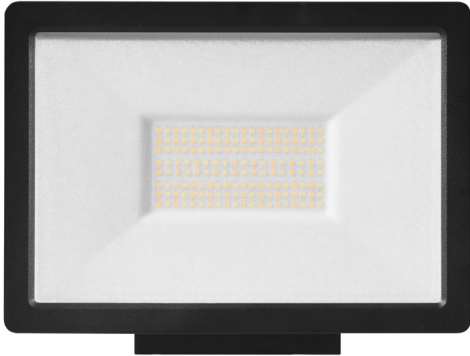


20W / 30W / 50W / 100W / 150W / 200W LED FLOOD LIGHT STANDARD AND PIR SENSOR

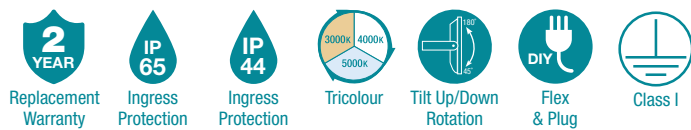


Model Numbers

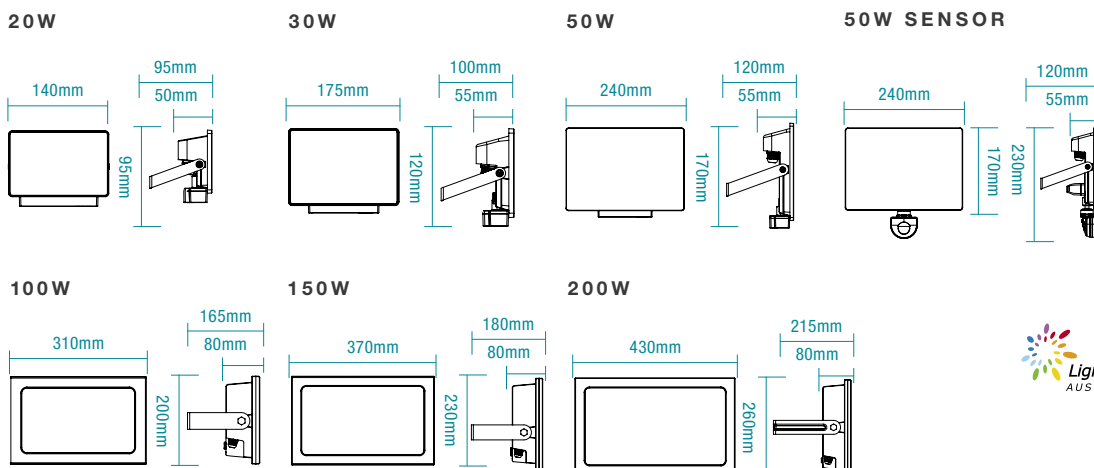
- MLXO34520M - Matt Black
- MLXO34530M - Matt Black
- MLXO34550M - Matt Black
- MLXO34550MS - Matt Black + Sensor
- MLXO345100M - Matt Black
- MLXO345150M - Matt Black
- MLXO345200M - Matt Black

Features

- Modern designed floodlight for security lighting and safety
- Ideal solution for entrances, alfresco and exterior applications
- Aluminium housing with tempered glass
- Stainless steel angled bracket for easy installation
- 6 different sizes from 20W to 200W
- Switchable colour temperature 3000K, 4000K and 5000K
- Adjustable time delay, lux level and sensitivity (sensor model only)
- Pre-wired with 600m flex & plug



DIMENSIONS



Aust/NZ Approval No.
 SAA220552 (MLXO34520M, MLXO34530M & MLXO34550M)
 SAA220655 (MLXO345100M, MLXO345150M & MLXO345200M)
 SAA220656 (MLXO34550MS)

20W / 30W / 50W / 100W / 150W / 200W LED FLOOD LIGHT STANDARD AND PIR SENSOR

SHIPPING

| Model Numbers | Carton Size | | | Carton Quantity | Carton Gross Weight (Kg) |
|---------------|-------------|--------|--------|-----------------|--------------------------|
| | H (mm) | W (mm) | L (mm) | | |
| MLXO34520M | 300 | 280 | 280 | 16 | 9.9 |
| MLXO34530M | 365 | 228 | 300 | 12 | 9.3 |
| MLXO34550M | 445 | 260 | 205 | 6 | 8 |
| MLXO34550MS | 432 | 262 | 258 | 6 | 8.6 |
| MLXO345100M | 372 | 330 | 250 | 4 | 12.3 |
| MLXO345150M | 395 | 190 | 300 | 2 | 7.7 |
| MLXO345200M | 455 | 190 | 325 | 2 | 10.3 |

SPECIFICATIONS

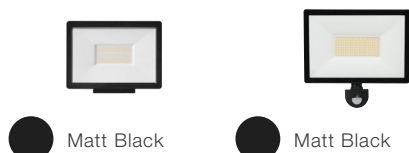
| | |
|----------------------------|------------------------------------|
| Model Name | Opal |
| Model Numbers | Power Wattage |
| MLXO34520M | 20W |
| MLXO34530M | 30W |
| MLXO34550M | 50W |
| MLXO34550MS | 50W Sensor |
| MLXO345100M | 100W |
| MLXO345150M | 150W |
| MLXO345200M | 200W |
| Voltage | 220-240 50Hz |
| Materials / Housing | Aluminium housing |
| Colour Temperature | 3000K / 4000K / 5000K |
| Model Numbers | Lumens Output |
| MLXO34520M | 1600lm / 2000lm / 1700lm |
| MLXO34530M | 2700lm / 3000lm / 2800lm |
| MLXO34550M | 4700lm / 5000lm / 4900lm |
| MLXO34550MS | 4700lm / 5000lm / 4900lm |
| MLXO345100M | 8900lm / 10000lm / 9400lm |
| MLXO345150M | 12700lm / 15000lm / 13200lm |
| MLXO345200M | 16700lm / 20000lm / 17700lm |
| IP Rating | IP65 IP44 (MLXO34550MS) |
| Beam Angle | 100° |
| CRI | Ra>80 |
| Rated Lifetime | 30,000 hours @ Ta25°C |
| Sensor | PIR (sensor model only) |
| Detection Range | 120° up to 10M (sensor model only) |

INSTALLATION

| | |
|---------------------|------------------------------|
| Installation | By licensed electrician only |
| Warranty | 2 year replacement warranty |

*For further information regarding warranty terms and conditions, please refer to enclosed warranty statement.
Warranty is void unless installed by a licensed electrician.

AVAILABLE COLOURS



| Model | Colour | Barcode |
|------------|------------|-----------------|
| MLXO34520M | Matt Black | 9 312375 506256 |
| MLXO34530M | Matt Black | 9 312375 506300 |
| MLXO34550M | Matt Black | 9 312375 506317 |

| Model | Colour | Barcode |
|-------------|------------|-----------------|
| MLXO34550MS | Matt Black | 9 312375 506324 |
| MLXO345100M | Matt Black | 9 312375 506355 |
| MLXO345150M | Matt Black | 9 312375 506362 |
| MLXO345200M | Matt Black | 9 312375 506379 |