

Last modification

2023-07-22

MODRIC FL-GY

9329501064498



Introducing the MODRIC table and floor lamp, a sleek and modern lighting option for any room in your home. This versatile lamp features a rectangular body with an internal LED strip, providing bright and energy-efficient lighting. The lamp sits on a sturdy square block base, adding a touch of geometric contrast to the design. The brightness of the lamp is easily adjustable with an inline dimmer, allowing you to customize the lighting to your needs. The MODRIC table and floor lamp is available in two colors, so you can choose the one that best matches your decor. Whether you place it on a table or floor, this lamp is sure to make a stylish statement in any room.

Overview

Family name	Modric
Categories	Floor Lamps
Usage	Indoor Lighting

Color / Material

Fixture Color	Grey
Fixture Material	Aluminium, Iron, Silicon
Base Color	Grey
Cable Color	Black
Cable Material	PVC

Size

Fixture Length (cm)	20.0
Fixture Width (cm)	15.0
Fixture Height (cm)	140.0
Cable Length (cm)	200 (50+Foot Switch+150)

Specification

Voltage Input	240V
Total Wattage (max)	24
Globe Type	LED integrated SMD
Globe / Light Source qty	1
Globe / Light Source included	Yes
Color Temperature	Warm White

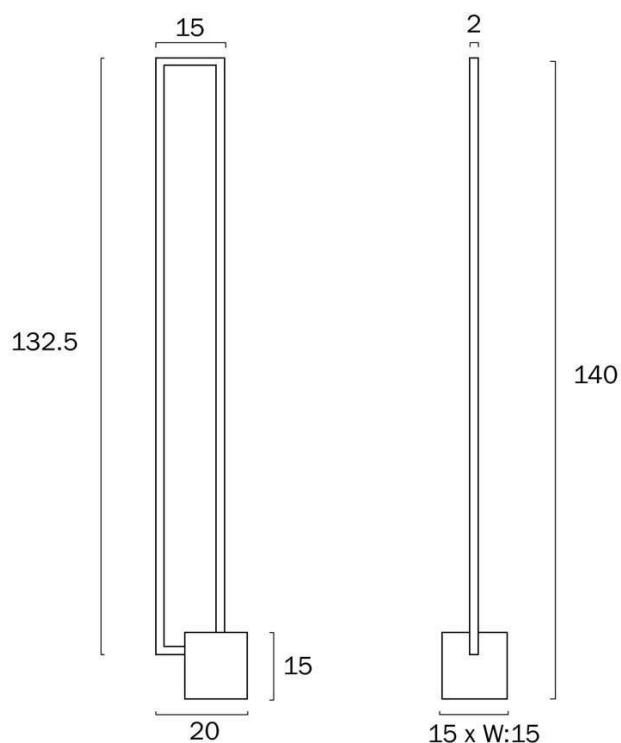
All representations within this document are subject to copyright. ELECTRICAL INSTALLATIONS MUST BE PERFORMED BY A QUALIFIED ELECTRICAL CONTRACTOR AND INSTALLED IN ACCORDANCE WITH AS/NZS 3000.
NOTE : All images , descriptions and dimensions are indicative. Please check latest version of item detail on Telbix website prior to ordering or installation.

Color Kelvin	3000k
Dimmable	Yes
Electrical Protection	CLASS II - DOUBLE INSULATED, EARTH NOT REQUIRED
IP rating	IP20
Lead and Plug	Yes
Approvals	RCM
Box Contents	Instruction
Care Instructions	Do not use strong liquid cleaners, Wipe clean with a dry cloth
Replacement Warranty	*3 Years

Barcode

GTIN 9329501064498

Image -dimensions



Note: Dimensions are only a guide and may vary due to manufacturing variations.

