

Last modification 2022-11-26

## RANA FL40NAT KIT 9329501065150



The Rana family is a high-quality construction of hand-woven rattan material forming a teardrop shaped shade. When illuminated, textured shadowing will enliven surrounding surfaces giving a wonderful accent to your living space. The Rana family includes pendant, table and floor lamp variations.

### Overview

<b>Family name</b>	Rana
<b>Categories</b>	Floor Lamps
<b>Usage</b>	Indoor Lighting

### Color / Material

<b>Fixture Color</b>	Natural,White
<b>Fixture Material</b>	Iron,Rattan
<b>Shade Color</b>	Natural
<b>Shade Material</b>	Rattan
<b>Base Color</b>	White
<b>Base Material</b>	Iron
<b>Cable Color</b>	Black
<b>Cable Material</b>	PVC

### Size

<b>Fixture Height (cm)</b>	180.0
<b>Base Length (cm)</b>	30.0
<b>Base Width (cm)</b>	17.0
<b>Base Height (cm)</b>	180.0
<b>Shade Diameter (cm)</b>	40.0
<b>Shade Height (cm)</b>	43.0
<b>Height Adjustable?</b>	No
<b>Cable Length (cm)</b>	200 (50+Foot Switch+150)

### Specification

<b>Voltage Input</b>	240V
<b>Wattage (max)</b>	25

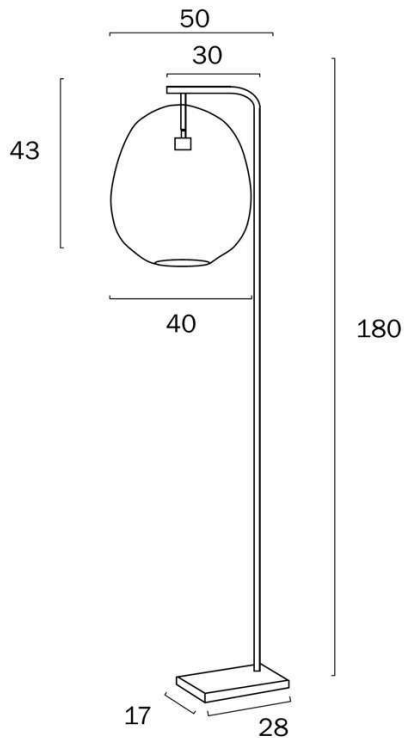
All representations within this document are subject to copyright. ELECTRICAL INSTALLATIONS MUST BE PERFORMED BY A QUALIFIED ELECTRICAL CONTRACTOR AND INSTALLED IN ACCORDANCE WITH AS/NZS 3000.  
NOTE : All images , descriptions and dimensions are indicative. Please check latest version of item detail on Telbix website prior to ordering or installation.

<b>Globe Type</b>	E27
<b>Globe / Light Source qty</b>	1
<b>Globe / Light Source included</b>	No
<b>Electrical Protection</b>	CLASS II - DOUBLE INSULATED, EARTH NOT REQUIRED
<b>IP rating</b>	IP20
<b>Lead and Plug</b>	Yes
<b>Approvals</b>	RCM
<b>Assembly Required</b>	Yes
<b>Box Contents</b>	Instruction
<b>Installation Required</b>	No
<b>Care Instructions</b>	Do not use strong liquid cleaners,Wipe clean with a dry cloth
<b>Replacement Warranty</b>	*3 Years

### Barcode

**GTIN** 9329501065150

### Image -dimensions



Note: Dimensions are only a guide and may vary due to manufacturing variations.

