

SEKER SERIES

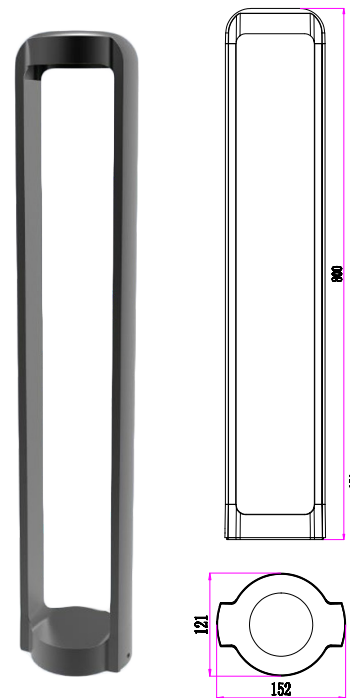
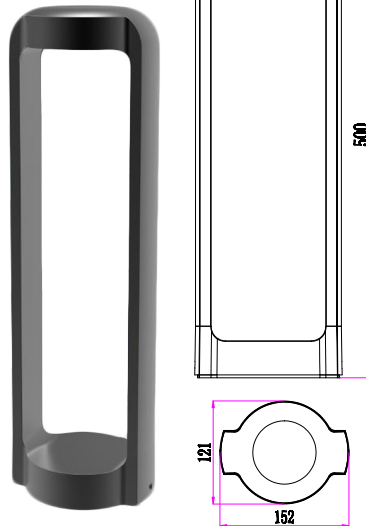
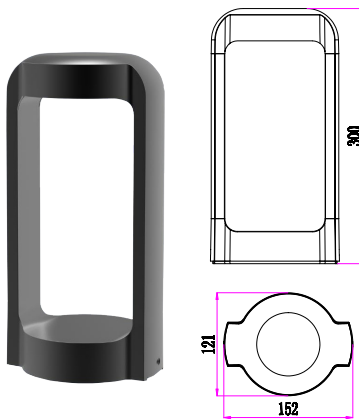
Exterior LED Bollard Lights



Product Features:

- Input voltage: 100-240V AC 50/60Hz
- Inbuilt driver output: 18-42V
- Driver input current: 0.064A
- Driver output current: 300mA
- Inrush current: 1.2A
- Housing: powder coated aluminium
- Heatsink & mounting bracket: aluminium
- LED chip: 1pc 7070
- Power factor: >0.5
- Ambient Temp: -20 to 50°C
- Suitable for 2-way switching
- Suitable for use with PIR or Microwave sensors
- **Not for use inground**

30,000hr Lifetime	253.9° Beam Angle	CRI80	IP65 Rated	3YEAR Replacement Warranty
----------------------	----------------------	--------------	----------------------	---



Part No.	SEKER1
Colour	Powder coated dark grey
Kelvin	3000K
Lumens	530lm
Watt	13W
Weight	1.3kg
Box	17x13x31cm
Carton QTY	1/8

Part No.	SEKER2
Colour	Powder coated dark grey
Kelvin	3000K
Lumens	530lm
Watt	13W
Weight	1.7kg
Box	17x13x51cm
Carton QTY	1/4

Part No.	SEKER3
Colour	Powder coated dark grey
Kelvin	3000K
Lumens	530lm
Watt	13W
Weight	2.4kg
Box	17x13x81cm
Carton QTY	1/4

UPDATED ON 17/09/2018