

Last modification 2023-01-31

SIERRA TL-GY 9329501059746

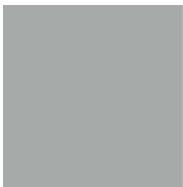
The Sierra table lamp is a rustic and earthy addition to any room. The ceramic base is shaped like an urn and is decorated with a weathered texture, giving it a natural and outdoor feel. The base comes in two finishes, including a grey and a sand option, so you can choose the one that best suits your decor. The fabric drum shade adds a touch of simplicity to the lamp, and diffuses the light to create a warm and inviting atmosphere. This lamp will be a unique addition to any home.

Overview

Family name	Sierra
Categories	Table Lamps
This item includes	Shade
Shade Shape	Drum
Switch	Inline Switch
Usage	Indoor Lighting

Color / Material

Fixture Color	Grey
Fixture Pantone Color	4275 UP
Fixture Material	Fabric,Ceramic
Shade Color	Grey
Shade Material	Fabric,Plastic
Base Color	Grey
Base Material	Grey
Cable Color	Black
Cable Material	PVC



Size

Fixture Diameter (cm)	25.0
Fixture Height (cm)	39.0
Base Diameter (cm)	19.0
Base Height (cm)	19.0
Shade Diameter (cm)	25.0
Shade Height (cm)	18.0
Cable Length (cm)	180 (30+Inline Switch+150)

Specification

Voltage Input	240V
Wattage (max)	25
Globe Type	E27
Globe / Light Source qty	1

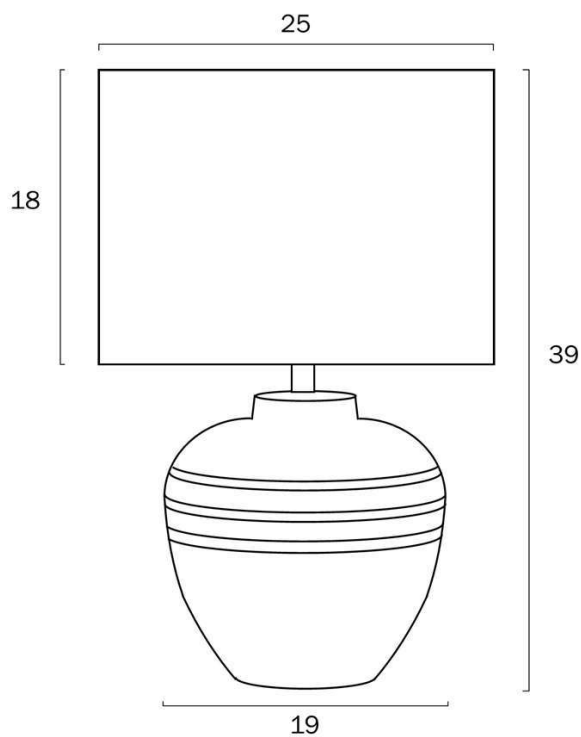
All representations within this document are subject to copyright. ELECTRICAL INSTALLATIONS MUST BE PERFORMED BY A QUALIFIED ELECTRICAL CONTRACTOR AND INSTALLED IN ACCORDANCE WITH AS/NZS 3000.
NOTE : All images , descriptions and dimensions are indicative. Please check latest version of item detail on Telbix website prior to ordering or installation.

Globe / Light Source included	No
Dimmable	Globe Dependant
Electrical Protection	CLASS II - DOUBLE INSULATED, EARTH NOT REQUIRED
IP rating	IP20
Lead and Plug	Yes
Approvals	RCM
Assembly Required	Yes
Box Contents	Instruction
Care Instructions	Do not use strong liquid cleaners,Wipe clean with a dry cloth
Replacement Warranty	*3 Years

Barcode

GTIN 9329501059746

Image -dimensions



Note: Dimensions are only a guide and may vary due to manufacturing variations.



